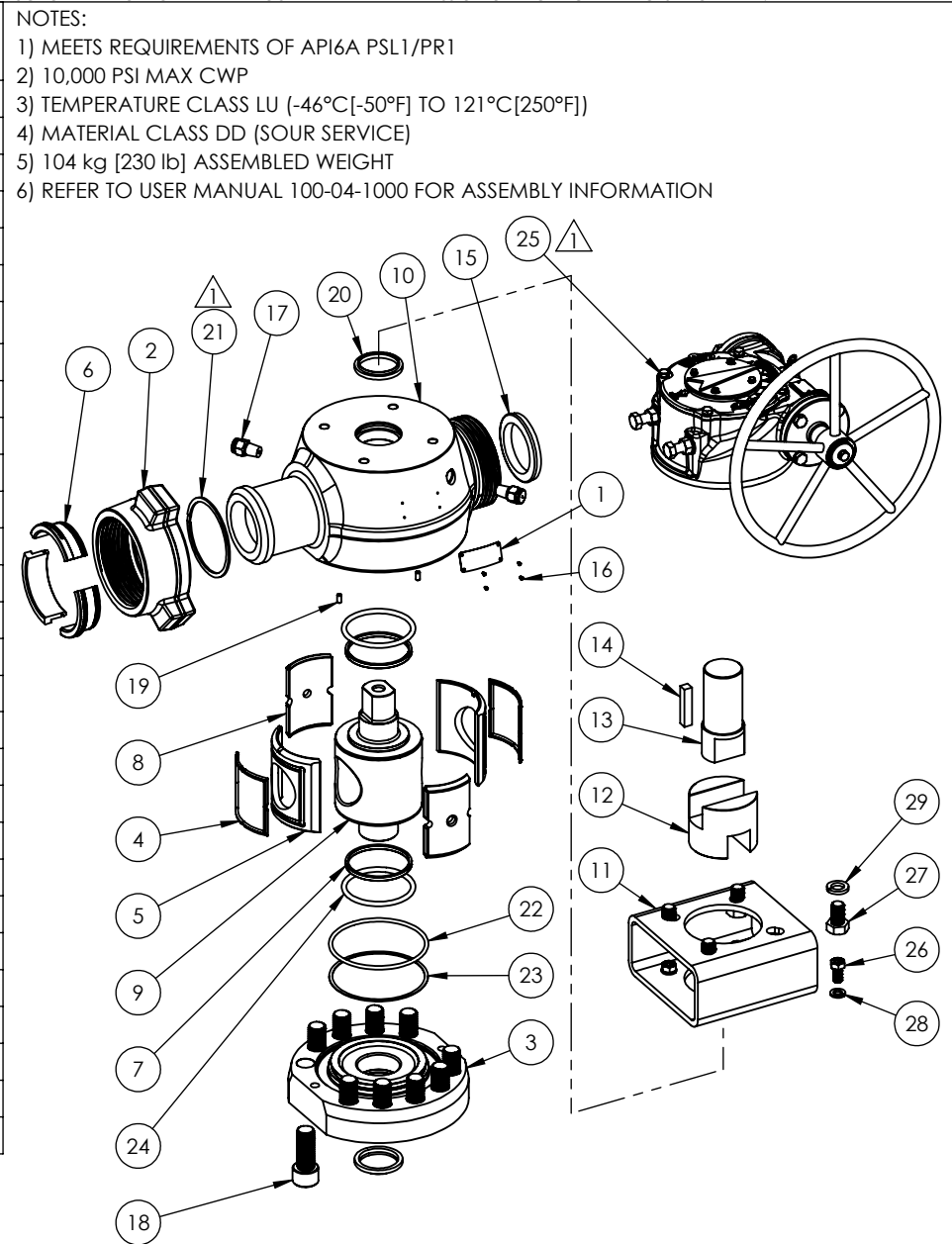


ITEM	PART NUMBER	DESCRIPTION	QTY.	100-04-00R (REBUILD) QTY.	100-04-00S (SEAL) QTY.
1	100-03-031	Fitting Identification Tag	1	-	-
2	100-04-007	3" Fig 1502 Union Nut 10k Sour	1	-	-
3	100-04-013	3" Fig 1502 Top Cap 10K Sour Service	1	-	-
4	100-04-014	3" Fig 1502 Plug Valve Seat Window Seal	2	2	2
5	100-04-015	3" Plug Valve Window Seat - V3 Process	2	2	-
6	100-04-016	3" Fig 1502 Hammer Union Slip	3	-	-
7	100-04-017	3" Plug Valve Radial Backup Ring	2	2	2
8	100-04-019	3" Fig 1502 Seat Spacer	2	2	-
9	100-04-020	3" Fig 1502 Valve Plug	1	1	-
10	100-04-022	3" Fig 1502 PV Body 10k Sour 15.7"	1	-	-
11	100-04-083	4x8 Actuator Bracket	1	-	-
12	100-04-084	Actuator Coupler	1	-	-
13	100-04-085	Actuator Stem	1	-	-
14	100-04-086	0.5 x 2.5in Square Key	1	-	-
15	100-00-005	3" Fig 1502 Hammer Union Seal	1	-	-
16	100-00-017	No. 2-100 x 0.1875in U-Drive Screw	4	-	-
17	100-00-055	Giant Button-Head Grease Fitting - 0.375in NPT	2	2	-
18	100-00-056	1-8 x 2.50 SHCS	10	-	-
19	100-00-059	1/4" x 1/2" Dowel Pin	2	2	-
20	100-00-060	Shaft Wiper U-Type 2.25in	2	2	2
21	100-00-061	4.5" Medium-Heavy Duty Spirolox Ret. Ring	1	-	-
22	100-00-062	O-Ring -356	1	1	1
23	100-00-063	Backup Ring -356	1	1	1
24	100-00-064	O-Ring -419	2	2	2
25	100-00-082	Diamond Gear TM-W2 1/4-Turn Actuator	1	-	-
26	100-00-083	0.5-13 x 1.0in Hex Bolt Grade 8	4	-	-
27	100-00-084	0.75-10 x 1.0in Hex Bolt Grade 8	4	-	-
28	100-00-085	1/2" Split Washer	4	-	-
29	100-00-088	3/4" Split Washer	4	-	-



0046	1	REPLACED 4-5/8" MEDIUM DUTY SPIRAL RETAINING RING. ACTUATOR UPDATED TO NEW STYLE.	2018-08-03	JM
-	0	INITIAL RELEASE	2017-02-17	JM
ECL	REV	REVISION DESCRIPTION	DATE	BY

DIMENSIONS ARE IN INCHES, ANGLES ARE IN DEGREES
 DECIMALS
 X.X ±0.030"
 X.XX ±0.010"
 X.XXX ±0.005"
 X.XXXX ±0.0010"
 FRACTIONAL TOLERANCE ±1/64"
 SURFACE FINISH √ 63µin.
 UNSPECIFIED CHAMFERS & FILLET RADII = 0.010"
REMOVE ALL BURRS AND SHARP EDGES

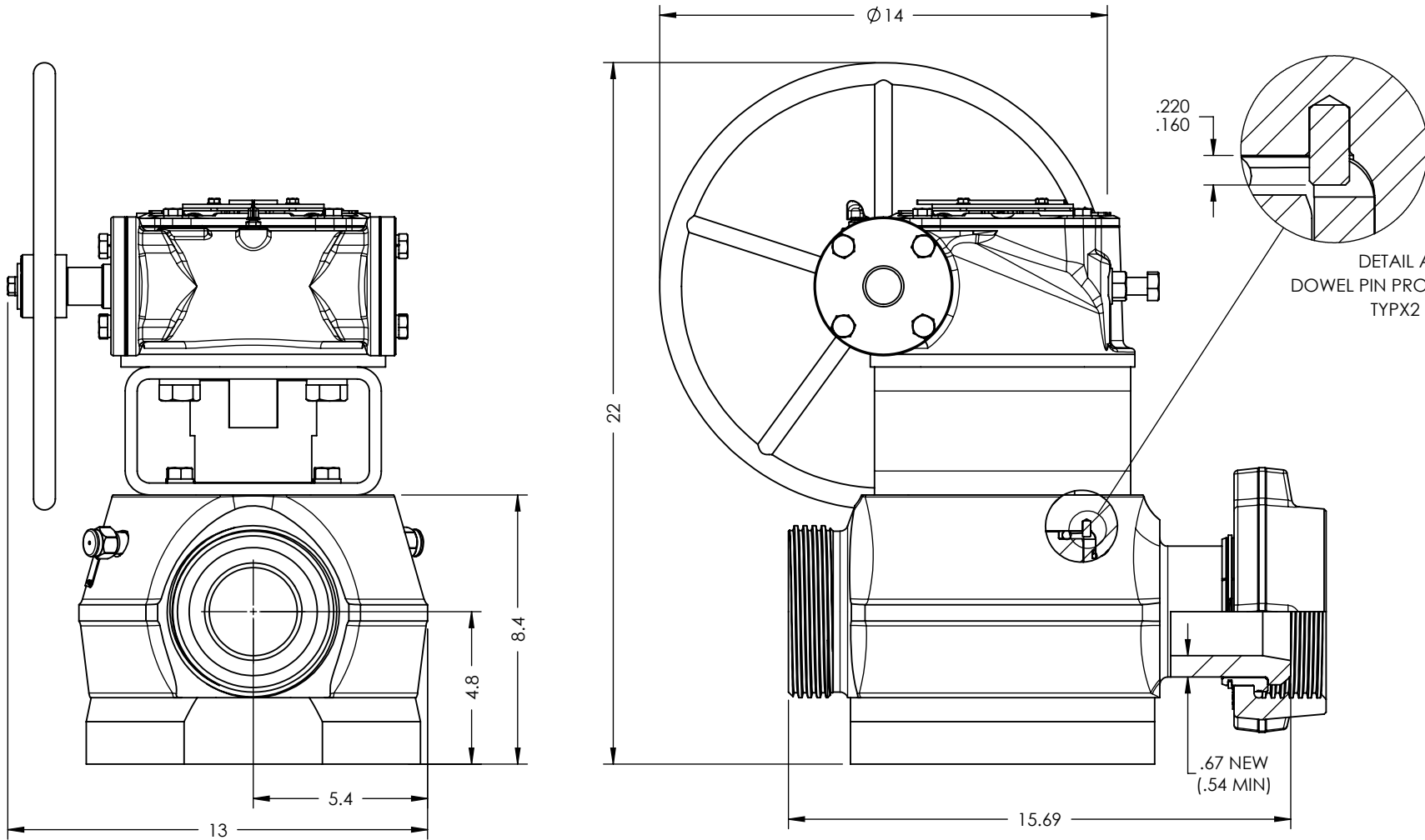
APPROVAL

= ±0.001" / IN.
 = ±0.001" / IN.
 = ±0.001" / IN. Ø
 = ±0.001"

BRC ENGINEERING BRC Engineering
 3" Flow Control
 3" Fig 1502 Plug Valve 15.69" 10k Sour Gear Op

MATERIAL -

WEIGHT 104 kg (230 lbs)	DWG. NO. 100-04-099	REV 1	SHEET 1 of 2
-------------------------------	------------------------	----------	--------------



DIMENSIONS ARE IN INCHES, ANGLES ARE IN DEGREES

DECIMALS
 X.X ±0.030"
 X.XX ±0.010"
 X.XXX ±0.005"
 X.XXXX ±0.0010"

FRACTIONAL
 TOLERANCE ±1/64"

SURFACE FINISH √ 63µin.

UNSPECIFIED CHAMFERS & FILLET RADII = 0.010"

REMOVE ALL BURRS AND SHARP EDGES

↗ = ±0.001" / IN.
 ⊥ = ±0.001" / IN.
 ○ = ±0.001" / IN. Ø
 ⊙ = ±0.001"

APPROVAL

BRC ENGINEERING		BRC Engineering	
		3" Flow Control	
MATERIAL		3" Fig 1502 Plug Valve 15.69" 10k Sour Gear Op	
WEIGHT 104 kg (230 lbs)	DWG. NO. 100-04-099	REV 1	SHEET 2 of 2