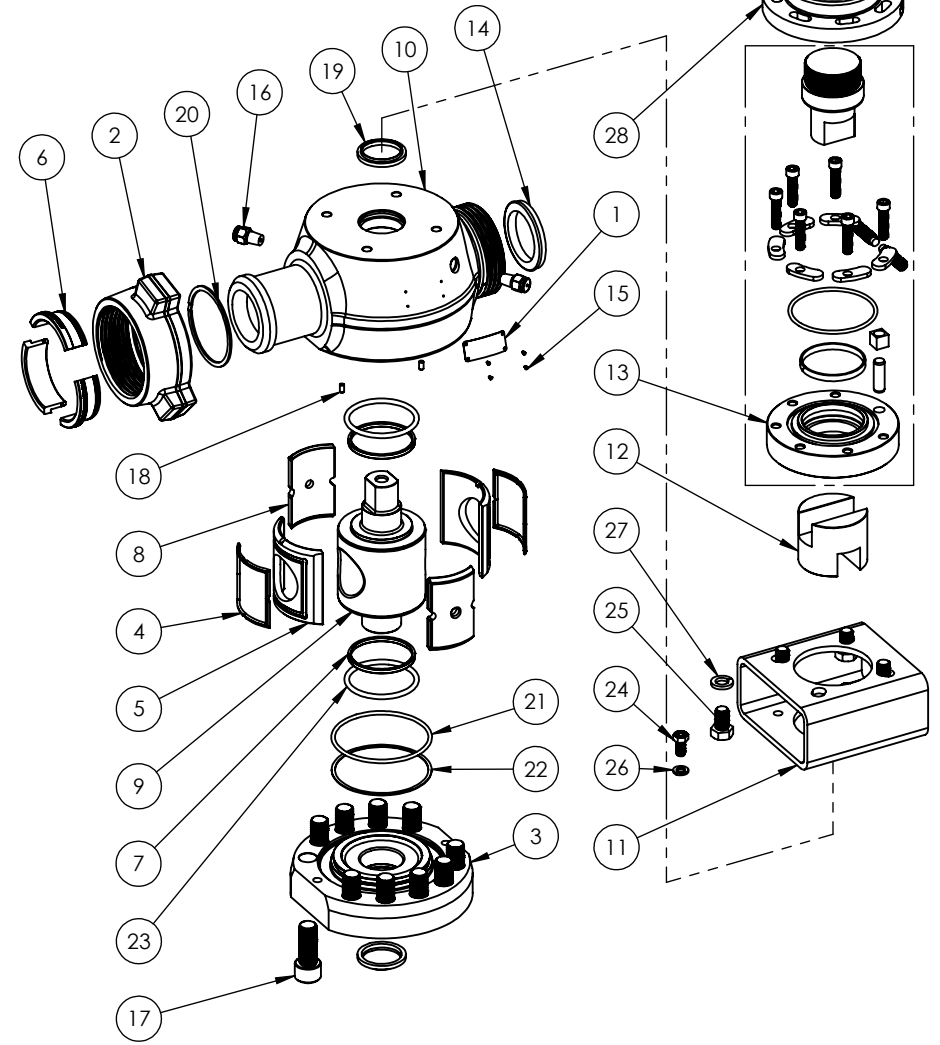


THE INFORMATION CONTAINED IN THIS DRAWING IS THE SOLE PROPERTY OF BRC ENGINEERING. ANY REPRODUCTION IN WHOLE OR PART WITHOUT THE WRITTEN PERMISSION OF BRC ENGINEERING IS PROHIBITED.

ITEM	PART NUMBER	DESCRIPTION	QTY.	100-04-00R (REBUILD) QTY.	100-04-00S (SEAL) QTY.
1	100-03-031	Fitting Identification Tag	1	-	-
2	100-04-007	3" Fig 1502 Union Nut 10k Sour	1	-	-
3	100-04-013	3" Fig1502 Top Cap 10K Sour Service	1	-	-
4	100-04-014	3" Fig 1502 Plug Valve Seat Window Seal	2	2	2
5	100-04-015	3" Plug Valve Window Seat - V3 Process	2	2	-
6	100-04-016	3" Fig 1502 Hammer Union Slip	3	-	-
7	100-04-017	3" Plug Valve Radial Backup Ring	2	2	2
8	100-04-019	3" Fig 1502 Seat Spacer	2	2	-
9	100-04-020	3" Fig 1502 Valve Plug	1	1	-
10	100-04-022	3" Fig1502 PV Body 10k Sour 15.7"	1	-	-
11	100-04-083	4x8 Actuator Bracket	1	-	-
12	100-04-084	Actuator Coupler	1	-	-
13	100-04-132	3" Plug Valve Hydraulic Actuator Mount Kit	1	-	-
14	100-00-005	3" Fig 1502 Hammer Union Seal	1	-	-
15	100-00-017	No. 2-100 x 0.1875in U-Drive Screw	4	-	-
16	100-00-055	Giant Button-Head Grease Fitting - 0.375in NPT	2	2	-
17	100-00-056	1-8 x 2.50 SHCS	10	-	-
18	100-00-059	1/4" x 1/2" Dowel Pin	2	2	-
19	100-00-060	Shaft Wiper U-Type 2.25in	2	2	2
20	100-00-061	4.5" Medium-Heavy Duty Spirolox Ret. Ring	1	-	-
21	100-00-062	O-Ring -356	1	1	1
22	100-00-063	Backup Ring -356	1	1	1
23	100-00-064	O-Ring -419	2	2	2
24	100-00-083	0.5-13 x 1.0in Hex Bolt Grade 8	4	-	-
25	100-00-084	0.75-10 x 1.0in Hex Bolt Grade 8	4	-	-
26	100-00-085	1/2" Split Washer	4	-	-
27	100-00-088	3/4" Split Washer	4	-	-
28	100-00-138	Rotary Hydraulic Actuator - 2000 Nm	1	-	-

NOTES:  
 1) MEETS REQUIREMENTS OF API6A PSL1/PR1  
 2) 10,000 PSI MAX CWP  
 3) TEMPERATURE CLASS LU (-46°C[-50°F] TO 121°C[250°F])  
 4) MATERIAL CLASS DD (SOUR SERVICE)  
 5) 130 kg [287 lb] ASSEMBLED WEIGHT

VALVE SHOWN IN OPEN POSITION.  
 NOTE ORIENTATION OF VALVE DRIVE COMPONENTS INCLUDING ACTUATOR (MOUNTING ORIENTATION AND PORT INDICATOR), SPLINE ADAPTER & ACUATOR COUPLER.

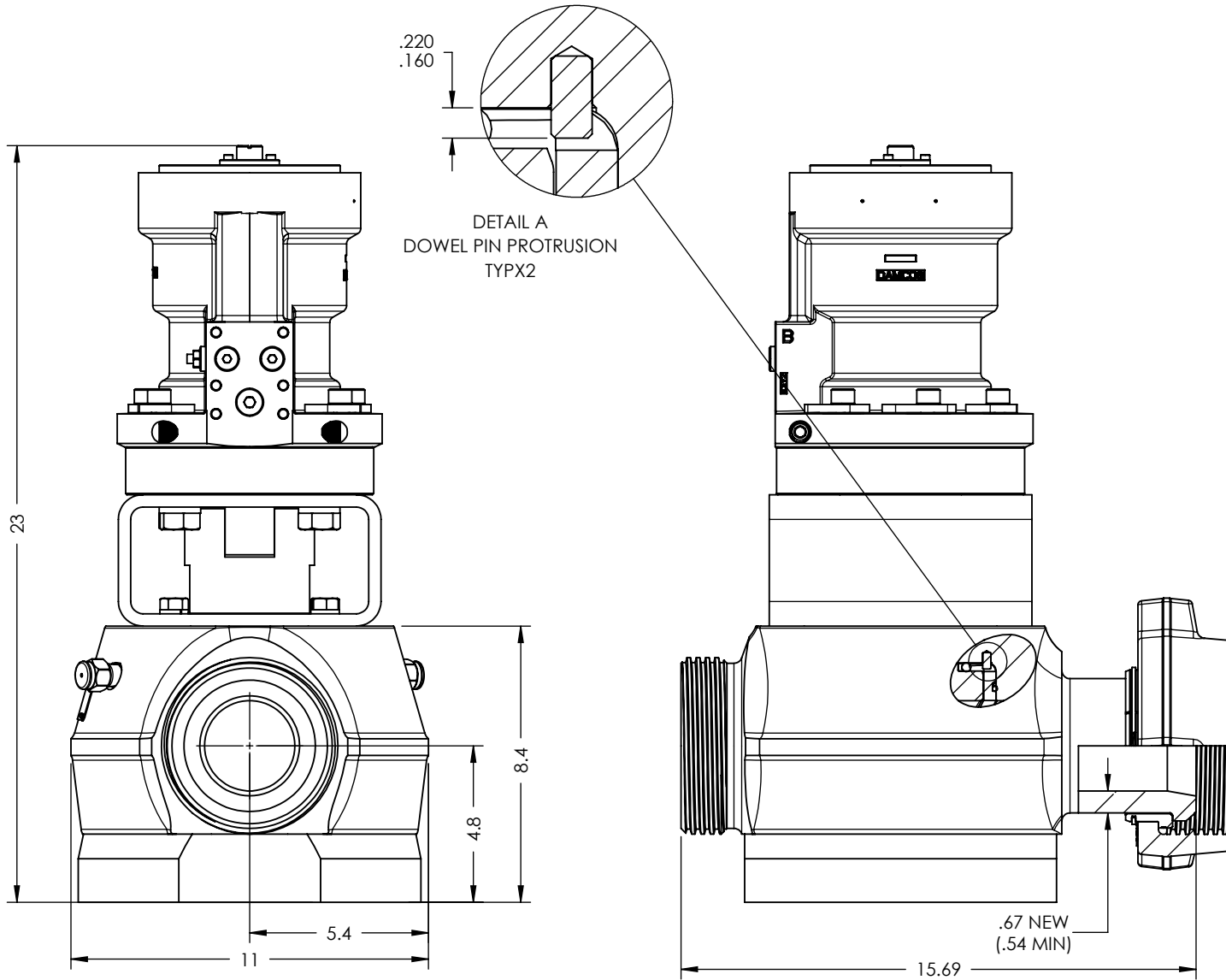


DIMENSIONS ARE IN INCHES, ANGLES ARE IN DEGREES  
 DECIMALS  
 X.X ±0.030"  
 X.XX ±0.010"  
 X.XXX ±0.005"  
 X.XXXX ±0.0010"  
 FRACTIONAL TOLERANCE ±1/64"  
 SURFACE FINISH √ 63μin.  
 UNSPECIFIED CHAMFERS & FILLET RADII = 0.010"  
**REMOVE ALL BURRS AND SHARP EDGES**

APPROVAL  
 = ±0.001" / IN.  
 = ±0.001" / IN.  
 = ±0.001" / IN. Ø  
 = ±0.001"

<b>BRC ENGINEERING</b>		BRC Engineering	
		3" Flow Control	
		3" Fig 1502 Plug Valve 15.69" 10k Sour Hydraulic Actuated	
MATERIAL			
WEIGHT 130 kg (287 lbs)	DWG. NO. 100-04-099-HA	REV 0	SHEET 1 of 2

-	0	INITIAL RELEASE	2018-07-17	JM
ECL	REV	REVISION DESCRIPTION	DATE	BY



DIMENSIONS ARE IN INCHES, ANGLES ARE IN DEGREES

DECIMALS  
 X.X ±0.030"  
 X.XX ±0.010"  
 X.XXX ±0.005"  
 X.XXXX ±0.0010"

FRACTIONAL  
 TOLERANCE ±1/64"

SURFACE FINISH √ 63μin.

UNSPECIFIED CHAMFERS & FILLET RADII = 0.010"

**REMOVE ALL BURRS AND SHARP EDGES**

↗ = ±0.001" / IN.  
 ⊥ = ±0.001" / IN.  
 ○ = ±0.001" / IN. Ø  
 ⊙ = ±0.001"

APPROVAL



BRC Engineering  
 3" Flow Control  
 3" Fig 1502 Plug Valve 15.69" 10k Sour  
 Hydraulic Actuated

MATERIAL

WEIGHT 130 kg (287 lbs)	DWG. NO. 100-04-099-HA	REV 0	SHEET 2 of 2
-------------------------------	---------------------------	----------	--------------