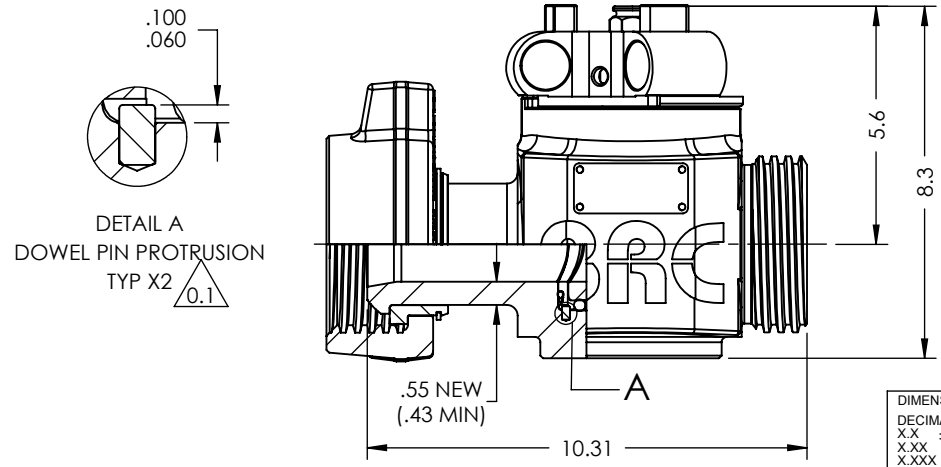
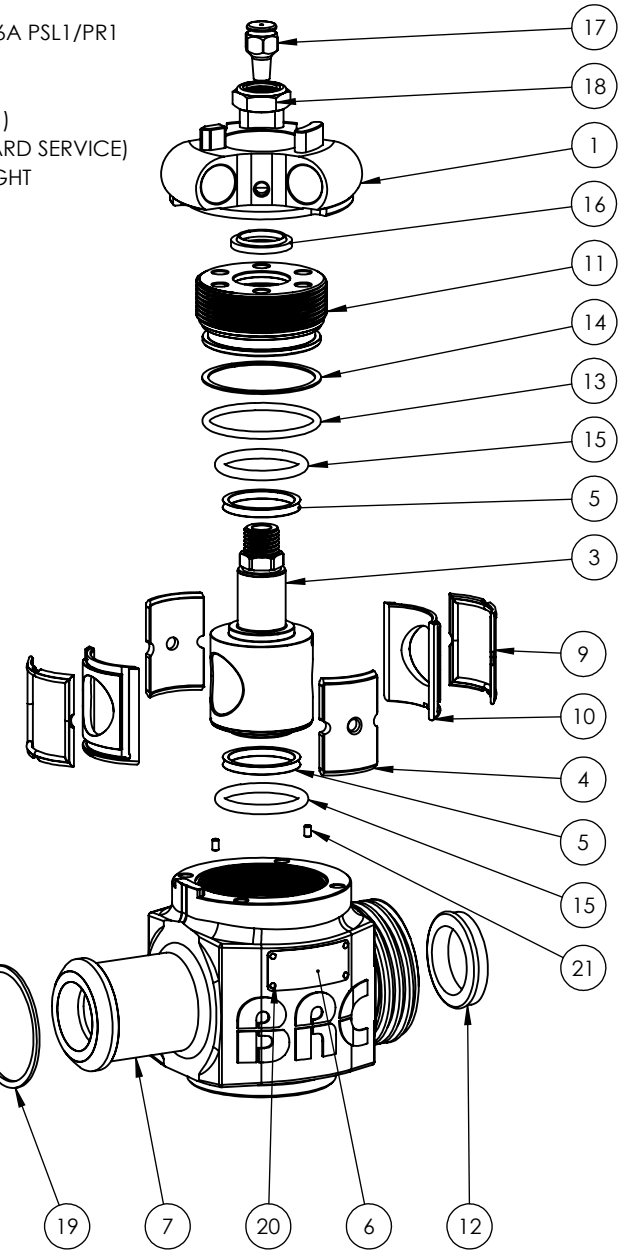


THE INFORMATION CONTAINED IN THIS DRAWING IS THE SOLE PROPERTY OF BRC ENGINEERING. ANY REPRODUCTION IN WHOLE OR PART WITHOUT THE WRITTEN PERMISSION OF BRC ENGINEERING IS PROHIBITED.

ITEM	PART NUMBER	DESCRIPTION	QTY.	Rebuild Kit 100-03-00R QTY.	Seal Kit 100-03-00S QTY.
F	1	100-03-009	Billet Snipe Nut	1	-
	2	100-03-011	2" Fig 1502 Segmented Slip	3	-
	3	100-03-012	2" Plug - Sour/STD Service	1	1
	4	100-03-014	2" Plug Valve Seat Spacer - Sour/STD	2	2
	5	100-03-015	Radial Backup Ring	2	2
	6	100-03-031	Fitting Identification Tag	1	-
E	7	100-03-033	2" Fig 1502 Valve Body - 15k Std Service	1	-
	8	100-03-035	2" Fig 1502 Wing Nut 15k Std	1	-
	9	100-03-050	2" Plug Valve Seat Window Seal - HSN 90	2	2
	10	100-03-051	2" Plug Valve Seat	2	2
	11	100-03-052	Top Nut - 15k Std Service	1	-
	12	100-00-004	2" Hammer Union Seal	1	-
	13	100-00-010	O-Ring -337, HSN 90	1	1
D	14	100-00-011	Backup Ring -337, Viton 90	1	1
	15	100-00-012	O-Ring 54x7mm, Viton 80	2	2
	16	100-00-013	U-Type Shaft Wiper - 1.375 Inch	1	1
	17	100-00-014	Giant Button-Head Grease Fitting - 0.25in NPT	1	1
	18	100-00-015	1 Inch x 8 tpi Thin Hex Nut w/ Nylon Insert	1	-
	19	100-00-016	Spiral External Retaining Ring WST-334	1	-
	20	100-00-017	No. 2-100 x 0.1875in U-Drive Screw	4	-
C	21	100-00-020	Dowel Pin - 3/16" x 5/16"	2	2

NOTES:  
 1) MEETS REQUIREMENTS OF API6A PSL1/PR1  
 2) 15,000 PSI MAX CWP  
 3) TEMPERATURE CLASS PU  
 (-29°C[-20°F] TO 121°C[250°F])  
 4) MATERIAL CLASS AA (STANDARD SERVICE)  
 5) 27 kg [59 lb] ASSEMBLED WEIGHT



DIMENSIONS ARE IN INCHES, ANGLES ARE IN DEGREES  
 DECIMALS  
 X.X ±0.030"  
 X.XX ±0.010"  
 X.XXX ±0.005"  
 X.XXXX ±0.0010"  
 FRACTIONAL TOLERANCE ±1/64"  
 SURFACE FINISH √ 63µin.  
 UNSPECIFIED CHAMFERS & FILLET RADII = 0.010"  
**REMOVE ALL BURRS AND SHARP EDGES**

APPROVAL  
 ✎ = ±0.001" / IN.  
 ⊥ = ±0.001" / IN.  
 ○ = ±0.001" / IN. ∅  
 ⊙ = ±0.001"

<b>BRC ENGINEERING</b>		BRC Engineering	
		2" Flow Control	
		2" Fig 1502 Plug Valve 15k Std	
MATERIAL		See BOM	
WEIGHT 27 kg (59 lbs)	DWG. NO. 100-03-028	REV 0.1	SHEET 1 of 1

0041	0.1	ADDED DOWL PIN PROTRUSION DETAIL. ADDED DOWL PINS TO REBUILD KIT BOM.	2018-06-28	JM
-	0	INITIAL RELEASE	2017-04-05	JM
ECL	REV	REVISION DESCRIPTION	DATE	BY