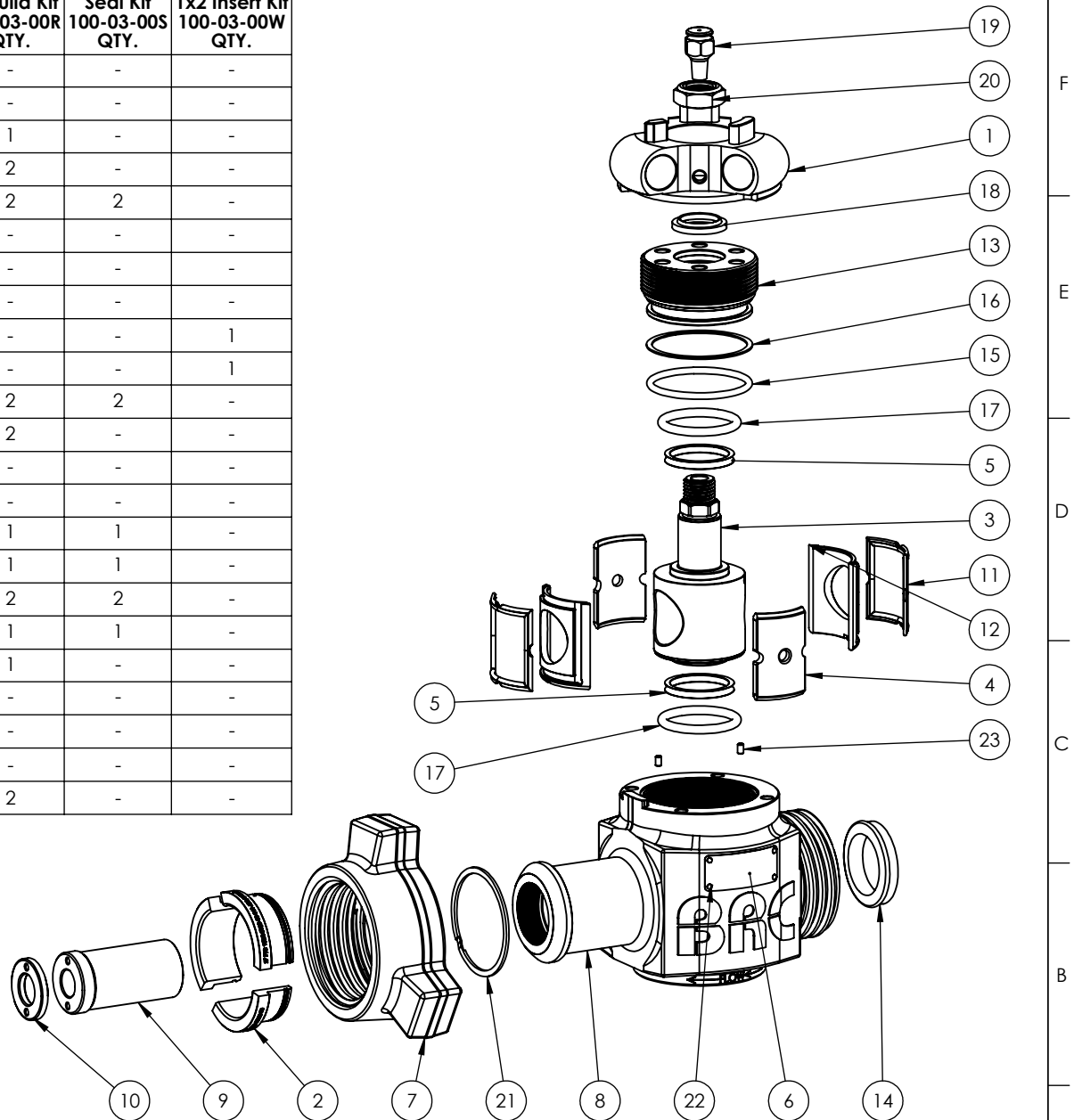


THE INFORMATION CONTAINED IN THIS DRAWING IS THE SOLE PROPERTY OF BRC ENGINEERING. ANY REPRODUCTION IN WHOLE OR PART WITHOUT THE WRITTEN PERMISSION OF BRC ENGINEERING IS PROHIBITED.

ITEM	PART NUMBER	DESCRIPTION	QTY.	Rebuild Kit	Seal Kit	1x2 Insert Kit
				100-03-00R QTY.	100-03-00S QTY.	100-03-00W QTY.
1	100-03-009	Billet Snipe Nut	1	-	-	-
2	100-03-011	2" Fig 1502 Segmented Slip	3	-	-	-
3	100-03-012	2" Plug - Sour/STD Service	1	1	-	-
4	100-03-014	2" Plug Valve Seat Spacer - Sour/STD	2	2	-	-
5	100-03-015	Radial Backup Ring	2	2	2	-
6	100-03-031	Fitting Identification Tag	1	-	-	-
7	100-03-035	2" Fig 1502 Wing Nut 15k Std	1	-	-	-
8	100-03-043	1x2 Inch Fig1502 - 15k Std Service	1	-	-	-
9	100-03-045	Threaded Wear Insert	1	-	-	1
10	100-03-046	Threaded Wear Insert Retainer	1	-	-	1
11	100-03-050	2" Plug Valve Seat Window Seal - HSN 90	2	2	2	-
12	100-03-051	2" Plug Valve Seat	2	2	-	-
13	100-03-052	Top Nut - 15k Std Service	1	-	-	-
14	100-00-004	2" Hammer Union Seal	1	-	-	-
15	100-00-010	O-Ring -337, HSN 90	1	1	1	-
16	100-00-011	Backup Ring -337, Viton 90	1	1	1	-
17	100-00-012	O-Ring 54x7mm, Viton 80	2	2	2	-
18	100-00-013	U-Type Shaft Wiper - 1.375 Inch	1	1	1	-
19	100-00-014	Giant Button-Head Grease Fitting - 0.25in NPT	1	1	-	-
20	100-00-015	1 Inch x 8 tpi Thin Hex Nut w/ Nylon Insert	1	-	-	-
21	100-00-016	Spiral External Retaining Ring WST-334	1	-	-	-
22	100-00-017	No. 2-100 x 0.1875in U-Drive Screw	4	-	-	-
23	100-00-020	Dowel Pin - 3/16" x 5/16"	2	2	-	-

NOTES:

- 1) MEETS REQUIREMENTS OF API6A PSL1/PR1
- 2) 15,000 PSI MAX CWP
- 3) TEMPERATURE CLASS PU (-29°C[-20°F] TO 121°C[250°F])
- 4) MATERIAL CLASS AA (STANDARD SERVICE)
- 5) 27 kg [60 lb] ASSEMBLED WEIGHT



DIMENSIONS ARE IN INCHES, ANGLES ARE IN DEGREES APPROVAL

DECIMALS
 X.X ±0.030"
 X.XX ±0.010"
 X.XXX ±0.005"
 X.XXXX ±0.0010"

FRACTIONAL TOLERANCE ±1/64"

SURFACE FINISH √ 63µin.

UNSPECIFIED CHAMFERS & FILLET RADII = 0.010"

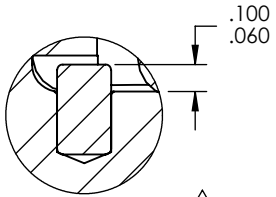
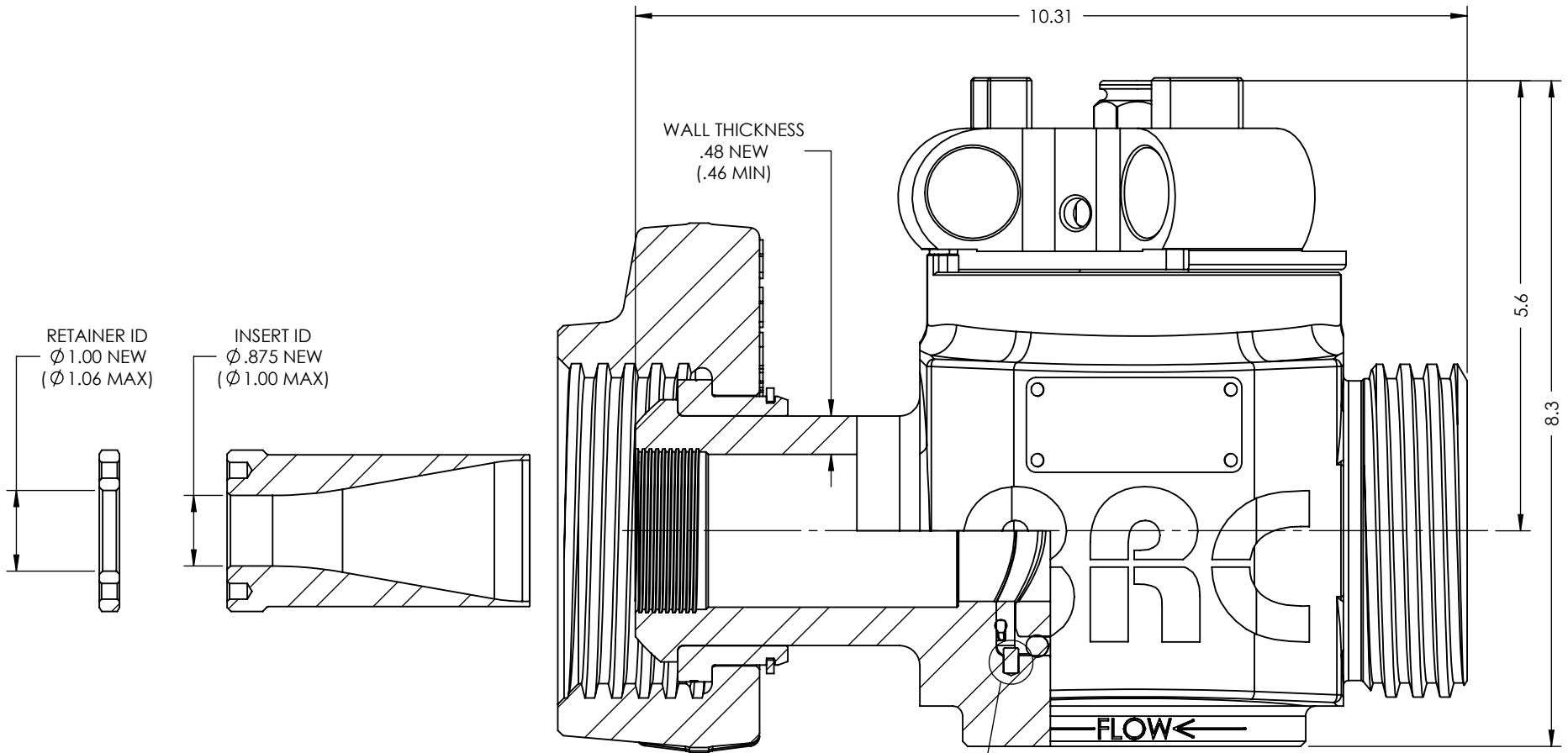
REMOVE ALL BURRS AND SHARP EDGES

↗ = ±0.001" / IN.
 ⊥ = ±0.001" / IN.
 ○ = ±0.001" / IN. ∅
 ⊙ = ±0.001"

APPROVAL

BRC ENGINEERING		BRC Engineering	
		2" Flow Control	
MATERIAL		See BOM	
WEIGHT 27 kg (60 lbs)	DWG. NO. 100-03-049	REV 0.1	SHEET 1 of 2

0041	0.1	ADDED DOWEL PIN PROTRUSION DETAIL.	2018-06-28	JM
-	0	INITIAL RELEASE	2017-04-05	JM
ECL	REV	REVISION DESCRIPTION	DATE	BY



DETAIL A
DOWEL PIN PROTRUSION
TYP X2

DIMENSIONS ARE IN INCHES, ANGLES ARE IN DEGREES

DECIMALS
 X.X ±0.030"
 X.XX ±0.010"
 X.XXX ±0.005"
 X.XXXX ±0.0010"

FRACTIONAL
 TOLERANCE ±1/64"

SURFACE FINISH √ 63μin.

UNSPECIFIED CHAMFERS & FILLET RADII = 0.010"

REMOVE ALL BURRS AND SHARP EDGES

APPROVAL

↗ = ±0.001" / IN.
 ⊥ = ±0.001" / IN.
 ○ = ±0.001" / IN. φ
 ⊙ = ±0.001"



BRC Engineering
 2" Flow Control
 1" x 2" Fig 1502 Plug Valve 15k Std

MATERIAL		See BOM	
WEIGHT	DWG. NO.	REV	SHEET 2 of 2
27 kg (60 lbs)	100-03-049	0.1	