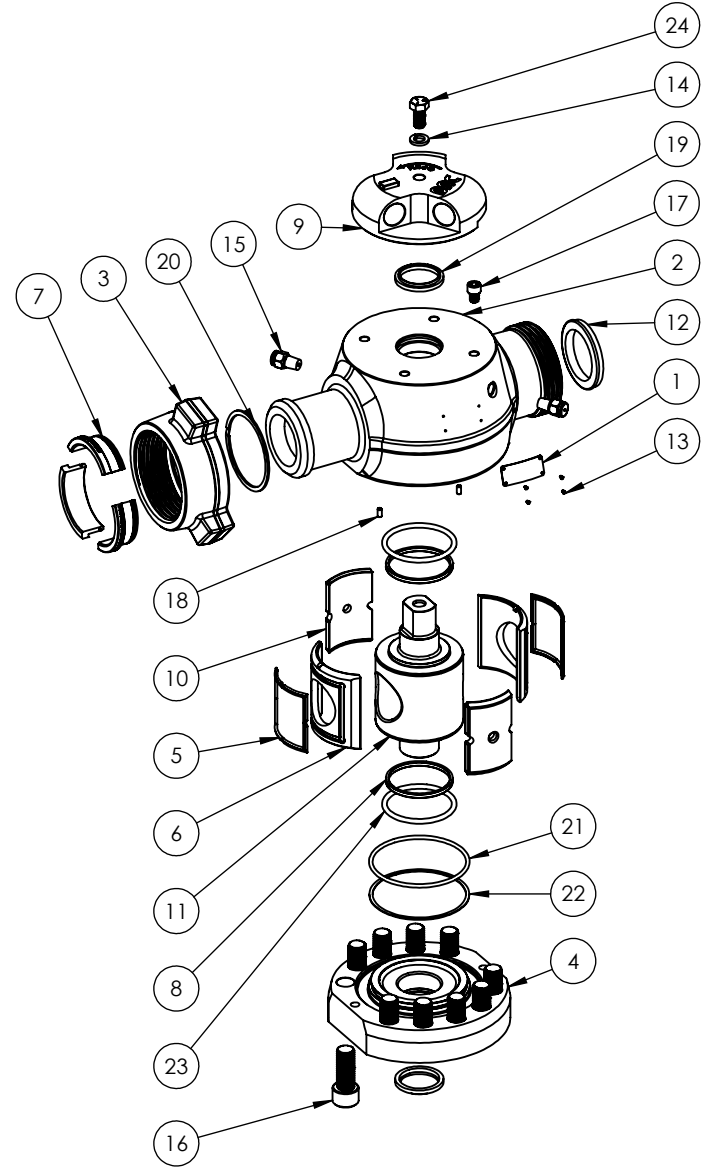


ITEM	PART NUMBER	DESCRIPTION	QTY.	100-04-00R (REBUILD) QTY.	100-04-00S (SEAL) QTY.
1	100-03-031	Fitting Identification Tag	1	-	-
2	100-04-004	3" Fig1502 PV Body 15k Std 17.0"	1	-	-
3	100-04-008	3" Fig 1502 Union Nut 15k Std	1	-	-
4	100-04-012	3" Fig1502 Top Cap 15K Std. Service	1	-	-
5	100-04-014	3" Fig 1502 Plug Valve Seat Window Seal	2	2	2
6	100-04-015	3" Plug Valve Window Seat	2	2	-
7	100-04-016	3" Fig 1502 Hammer Union Slip	3	-	-
8	100-04-017	3" Plug Valve Radial Backup Ring	2	2	2
9	100-04-018	3" Billet Snip Nut	1	-	-
10	100-04-019	3" Fig 1502 Seat Spacer	2	2	-
11	100-04-020	3" Fig 1502 Valve Plug	1	1	-
12	100-00-005	3" Fig 1502 Hammer Union Seal	1	-	-
13	100-00-017	No. 2-100 x 0.1875in U-Drive Screw	4	-	-
14	100-00-031	5/8" Split Lock Washer	1	-	-
15	100-00-055	Giant Button-Head Grease Fitting - 0.375in NPT	2	2	-
16	100-00-056	1-8 x 2.50 SHCS	10	-	-
17	100-00-057	1/2"-13 x 5/8 SHCS	1	-	-
18	100-00-059	1/4" x 1/2" Dowel Pin	2	2	-
19	100-00-060	Shaft Wiper U-Type 2.25in	2	2	2
20	100-00-061	4.5" Medium-Heavy Duty Spirolox Ret. Ring	1	-	-
21	100-00-062	O-Ring -356	1	1	1
22	100-00-063	Backup Ring -356	1	1	1
23	100-00-064	O-Ring -419	2	2	2
24	100-00-141	5/8"-11 x 1.25" Hex Bolt	1	-	-

NOTES:

- 1) MEETS REQUIREMENTS OF API6A PSL1/PR1
- 2) 15,000 PSI MAX CWP
- 3) TEMPERATURE CLASS PU (-29°C[-20°F] TO 121°C[250°F])
- 4) MATERIAL CLASS AA (STANDARD SERVICE)
- 5) 96 kg [211 lb] ASSEMBLED WEIGHT
- 6) REFER TO USER MANUAL 100-04-1000 FOR ASSEMBLY INFORMATION



-	0	INITIAL RELEASE	2018-09-12	JM
ECL	REV	REVISION DESCRIPTION	DATE	BY

DIMENSIONS ARE IN INCHES, ANGLES ARE IN DEGREES

DECIMALS
 X.X ±0.030"
 X.XX ±0.010"
 X.XXX ±0.005"
 X.XXXX ±0.0010"

FRACTIONAL TOLERANCE ±1/64"

SURFACE FINISH √ 63µin.

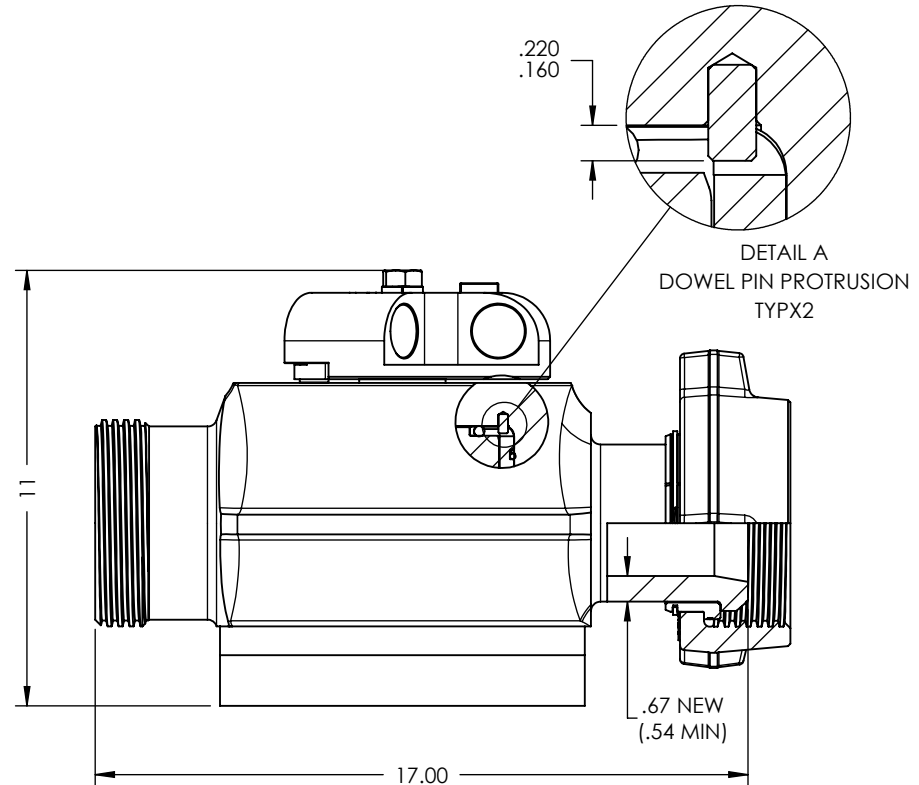
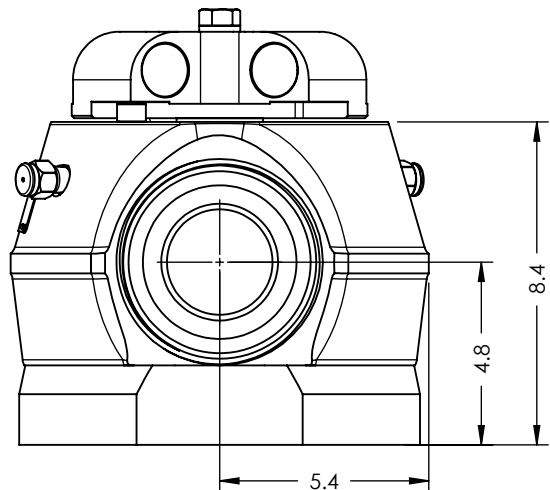
UNSPECIFIED CHAMFERS & FILLET RADII = 0.010"

REMOVE ALL BURRS AND SHARP EDGES

APPROVAL

↗ = ±0.001" / IN.
 ⊥ = ±0.001" / IN.
 ○ = ±0.001" / IN. ∅
 ⊙ = ±0.001"

BRC ENGINEERING		BRC Engineering	
		3" Flow Control	
		3" Fig 1502 Plug Valve 17" 15k Std Manual	
MATERIAL			
WEIGHT 96 kg (211 lbs)	DWG. NO. 100-04-090	REV 0	SHEET 1 of 2



DIMENSIONS ARE IN INCHES, ANGLES ARE IN DEGREES

DECIMALS
 X.X ±0.030"
 X.XX ±0.010"
 X.XXX ±0.005"
 X.XXXX ±0.0010"

FRACTIONAL
 TOLERANCE ±1/64"

SURFACE FINISH √ 63μin.

UNSPECIFIED CHAMFERS & FILLET RADII = 0.010"

REMOVE ALL BURRS AND SHARP EDGES

↗ = ±0.001" / IN.
 ⊥ = ±0.001" / IN.
 ○ = ±0.001" / IN. ∅
 ⊙ = ±0.001"

APPROVAL

BRC ENGINEERING		BRC Engineering	
		3" Flow Control	
MATERIAL		3" Fig 1502 Plug Valve 17" 15k Std Manual	
WEIGHT 96 kg (211 lbs)	DWG. NO. 100-04-090	REV 0	SHEET 2 of 2