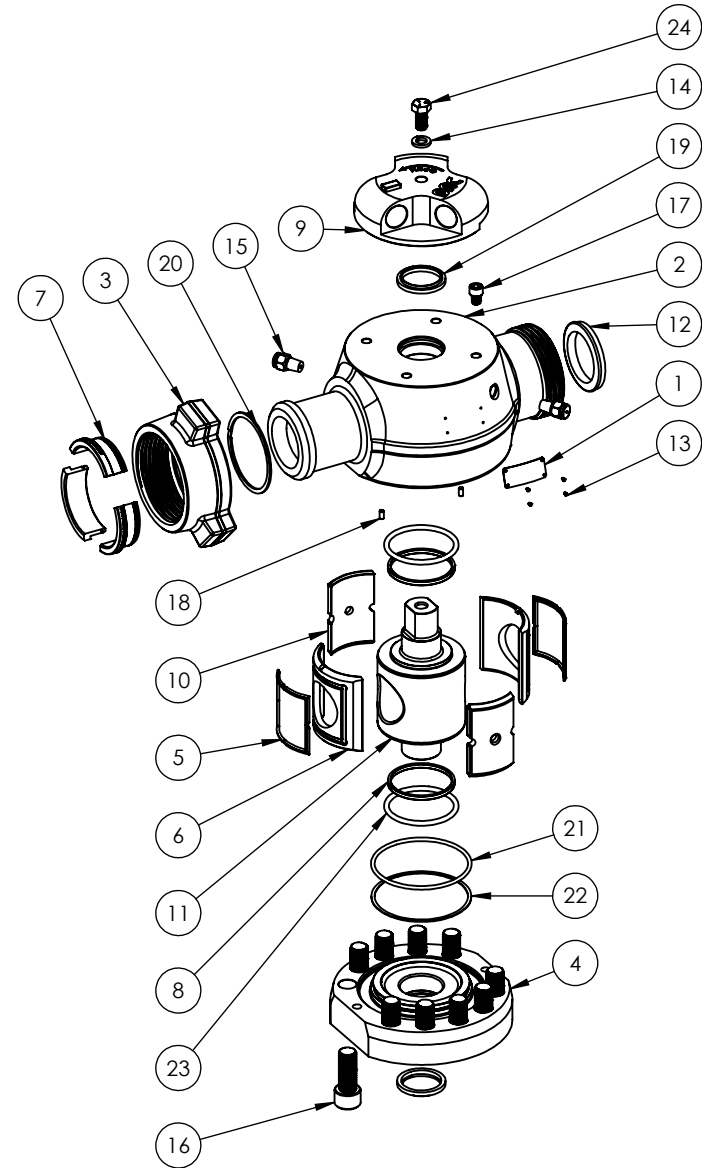


THE INFORMATION CONTAINED IN THIS DRAWING IS THE SOLE PROPERTY OF BRC ENGINEERING. ANY REPRODUCTION IN WHOLE OR PART WITHOUT THE WRITTEN PERMISSION OF BRC ENGINEERING IS PROHIBITED.

| ITEM | PART NUMBER | DESCRIPTION                                    | QTY. | 100-04-00R<br>(REBUILD)<br>QTY. | 100-04-00S<br>(SEAL)<br>QTY. |
|------|-------------|--|------|---------------------------------|------------------------------|
| 1    | 100-03-031  | Fitting Identification Tag                     | 1    | -                               | -                            |
| 2    | 100-04-002  | 3" Fig1502 PV Body 10k Sour 17.0"              | 1    | -                               | -                            |
| 3    | 100-04-007  | 3" Fig 1502 Union Nut 10k Sour                 | 1    | -                               | -                            |
| 4    | 100-04-013  | 3" Fig1502 Top Cap 10K Sour Service            | 1    | -                               | -                            |
| 5    | 100-04-014  | 3" Fig 1502 Plug Valve Seat Window Seal        | 2    | 2                               | 2                            |
| 6    | 100-04-015  | 3" Plug Valve Window Seat                      | 2    | 2                               | -                            |
| 7    | 100-04-016  | 3" Fig 1502 Hammer Union Slip                  | 3    | -                               | -                            |
| 8    | 100-04-017  | 3" Plug Valve Radial Backup Ring               | 2    | 2                               | 2                            |
| 9    | 100-04-018  | 3" Billet Snipe Nut                            | 1    | -                               | -                            |
| 10   | 100-04-019  | 3" Fig 1502 Seat Spacer                        | 2    | 2                               | -                            |
| 11   | 100-04-020  | 3" Fig 1502 Valve Plug                         | 1    | 1                               | -                            |
| 12   | 100-00-005  | 3" Fig 1502 Hammer Union Seal                  | 1    | -                               | -                            |
| 13   | 100-00-017  | No. 2-100 x 0.1875in U-Drive Screw             | 4    | -                               | -                            |
| 14   | 100-00-031  | 5/8" Split Lock Washer                         | 1    | -                               | -                            |
| 15   | 100-00-055  | Giant Button-Head Grease Fitting - 0.375in NPT | 2    | 2                               | -                            |
| 16   | 100-00-056  | 1-8 x 2.50 SHCS                                | 10   | -                               | -                            |
| 17   | 100-00-057  | 1/2"-13 x 5/8 SHCS                             | 1    | -                               | -                            |
| 18   | 100-00-059  | 1/4" x 1/2" Dowel Pin                          | 2    | 2                               | -                            |
| 19   | 100-00-060  | Shaft Wiper U-Type 2.25in                      | 2    | 2                               | 2                            |
| 20   | 100-00-061  | 4.5" Medium-Heavy Duty Spirolox Ret. Ring      | 1    | -                               | -                            |
| 21   | 100-00-062  | O-Ring -356                                    | 1    | 1                               | 1                            |
| 22   | 100-00-063  | Backup Ring -356                               | 1    | 1                               | 1                            |
| 23   | 100-00-064  | O-Ring -419                                    | 2    | 2                               | 2                            |
| 24   | 100-00-141  | 5/8"-11 x 1.25" Hex Bolt                       | 1    | -                               | -                            |

NOTES:

- 1) MEETS REQUIREMENTS OF API6A PSL1/PR1
- 2) 10,000 PSI MAX CWP
- 3) TEMPERATURE CLASS LU (-46°C[-50°F] TO 121°C[250°F])
- 4) MATERIAL CLASS DD (SOUR SERVICE)
- 5) 96 kg [211 lb] ASSEMBLED WEIGHT
- 6) REFER TO USER MANUAL 100-04-1000 FOR ASSEMBLY INFORMATION



|     |     |                      |            |    |
|-----|-----|----------------------|------------|----|
| -   | 0   | INITIAL RELEASE      | 2018-09-12 | JM |
| ECL | REV | REVISION DESCRIPTION | DATE       | BY |

DIMENSIONS ARE IN INCHES, ANGLES ARE IN DEGREES

DECIMALS  
X.X ±0.030"  
X.XX ±0.010"  
X.XXX ±0.005"  
X.XXXX ±0.0010"

FRACTIONAL  
TOLERANCE ±1/64"

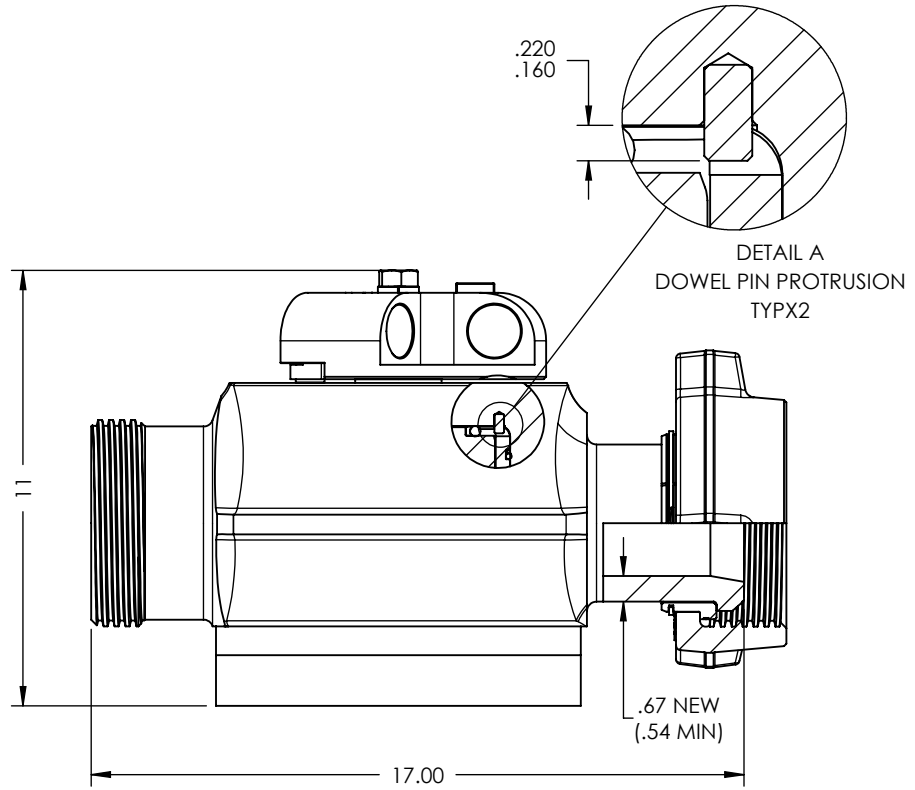
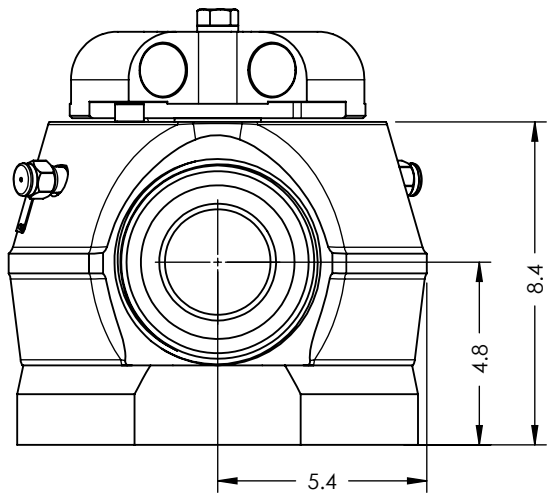
SURFACE FINISH √ 63µin.

UNSPECIFIED CHAMFERS & FILLET RADII = 0.010"

**REMOVE ALL BURRS AND SHARP EDGES**

APPROVAL

|                              |                        |  |              |
|------------------------------|------------------------|--|--------------|
|                              |                        | BRC Engineering                            |              |
|                              |                        | 3" Flow Control                            |              |
| MATERIAL                     |                        | 3" Fig 1502 Plug Valve 17" 10k Sour Manual |              |
| WEIGHT<br>96 kg<br>(211 lbs) | DWG. NO.<br>100-04-095 | REV<br>0                                   | SHEET 1 of 2 |



DIMENSIONS ARE IN INCHES, ANGLES ARE IN DEGREES

DECIMALS  
 X.X ±0.030"  
 X.XX ±0.010"  
 X.XXX ±0.005"  
 X.XXXX ±0.0010"

FRACTIONAL  
 TOLERANCE ±1/64"

SURFACE FINISH √ 63μin.

UNSPECIFIED CHAMFERS & FILLET RADII = 0.010"

**REMOVE ALL BURRS AND SHARP EDGES**

↗ = ±0.001" / IN.  
 ⊥ = ±0.001" / IN.  
 ○ = ±0.001" / IN. Ø  
 ⊙ = ±0.001"

APPROVAL

|                              |                        |  |              |
|------------------------------|------------------------|--|--------------|
| <b>BRC ENGINEERING</b>       |                        | BRC Engineering                            |              |
|                              |                        | 3" Flow Control                            |              |
| MATERIAL                     |                        | 3" Fig 1502 Plug Valve 17" 10k Sour Manual |              |
| WEIGHT<br>96 kg<br>(211 lbs) | DWG. NO.<br>100-04-095 | REV<br>0                                   | SHEET 2 of 2 |