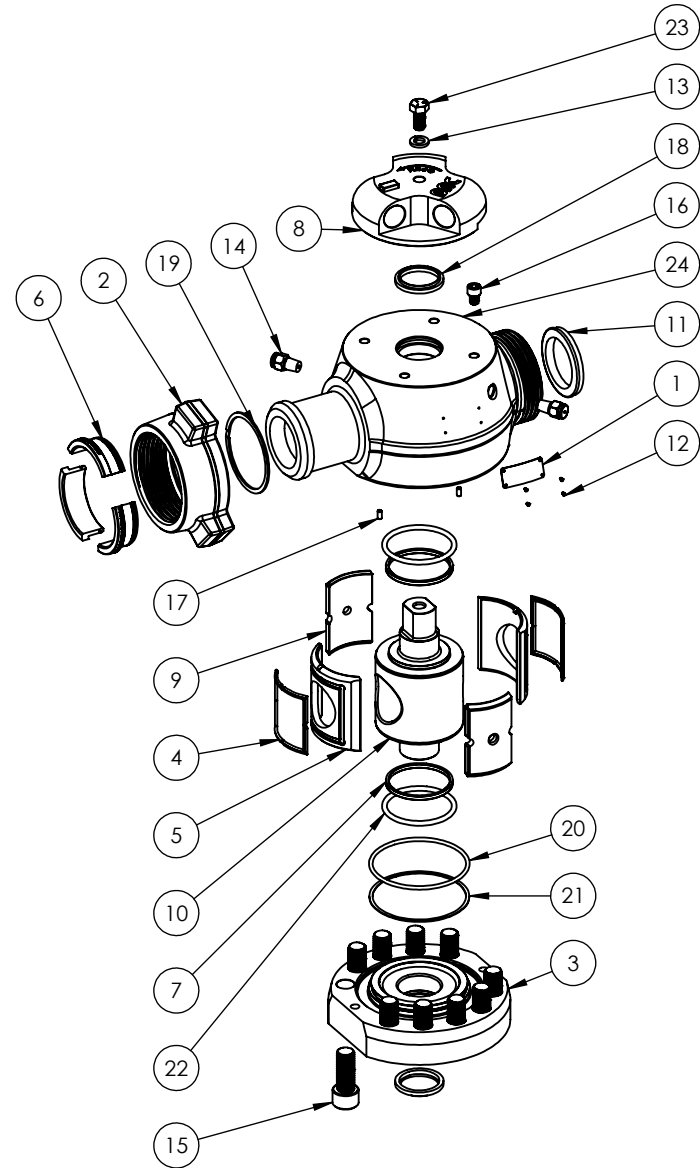


THE INFORMATION CONTAINED IN THIS DRAWING IS THE SOLE PROPERTY OF BRC ENGINEERING. ANY REPRODUCTION IN WHOLE OR PART WITHOUT THE WRITTEN PERMISSION OF BRC ENGINEERING IS PROHIBITED.

ITEM	PART NUMBER	DESCRIPTION	QTY.	100-04-00R (REBUILD) QTY.	100-04-00S (SEAL) QTY.
1	100-03-031	Fitting Identification Tag	1	-	-
2	100-04-007	3" Fig 1502 Union Nut 10k Sour	1	-	-
3	100-04-013	3" Fig 1502 Top Cap 10K Sour Service	1	-	-
4	100-04-014	3" Fig 1502 Plug Valve Seat Window Seal	2	2	2
5	100-04-015	3" Plug Valve Window Seat	2	2	-
6	100-04-016	3" Fig 1502 Hammer Union Slip	3	-	-
7	100-04-017	3" Plug Valve Radial Backup Ring	2	2	2
8	100-04-018	3" Billet Snipe Nut	1	-	-
9	100-04-019	3" Fig 1502 Seat Spacer	2	2	-
10	100-04-020	3" Fig 1502 Valve Plug	1	1	-
11	100-00-005	3" Fig 1502 Hammer Union Seal	1	-	-
12	100-00-017	No. 2-100 x 0.1875in U-Drive Screw	4	-	-
13	100-00-031	5/8" Split Lock Washer	1	-	-
14	100-00-055	Giant Button-Head Grease Fitting - 0.375in NPT	2	2	-
15	100-00-056	1-8 x 2.50 SHCS	10	-	-
16	100-00-057	1/2"-13 x 5/8 SHCS	1	-	-
17	100-00-059	1/4" x 1/2" Dowel Pin	2	2	-
18	100-00-060	Shaft Wiper U-Type 2.25in	2	2	2
19	100-00-061	4.5" Medium-Heavy Duty Spirolox Ret. Ring	1	-	-
20	100-00-062	O-Ring -356	1	1	1
21	100-00-063	Backup Ring -356	1	1	1
22	100-00-064	O-Ring -419	2	2	2
23	100-00-141	5/8"-11 x 1.25" Hex Bolt	1	-	-
24	100-04-022	3" Fig 1502 PV Body 10k Sour 15.7"	1	-	-

NOTES:

- 1) MEETS REQUIREMENTS OF API6A PSL1/PR1
- 2) 10,000 PSI MAX CWP
- 3) TEMPERATURE CLASS LU (-46°C[-50°F] TO 121°C[250°F])
- 4) MATERIAL CLASS DD (SOUR SERVICE)
- 5) 94 kg [206 lb] ASSEMBLED WEIGHT
- 6) REFER TO USER MANUAL 100-04-1000 FOR ASSEMBLY INFORMATION



-	0	INITIAL RELEASE	2018-09-12	JM
ECL	REV	REVISION DESCRIPTION	DATE	BY

DIMENSIONS ARE IN INCHES, ANGLES ARE IN DEGREES

DECIMALS
X.X ±0.030"
X.XX ±0.010"
X.XXX ±0.005"
X.XXXX ±0.0010"

FRACTIONAL TOLERANCE ±1/64"

SURFACE FINISH √ 63μin.

UNSPECIFIED CHAMFERS & FILLET RADII = 0.010"

REMOVE ALL BURRS AND SHARP EDGES

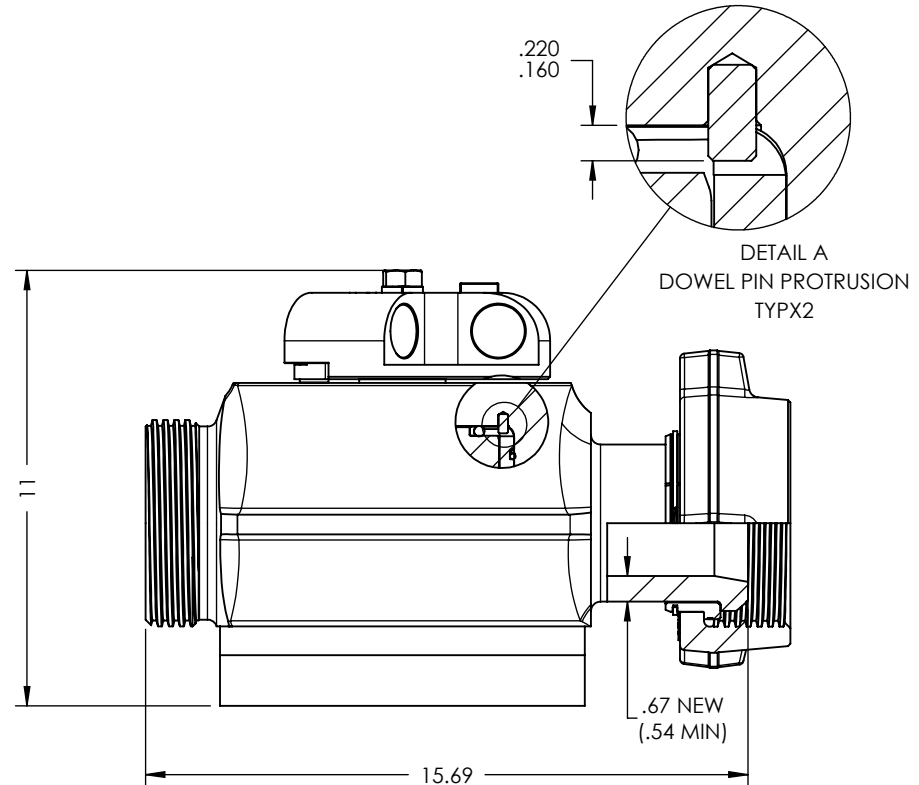
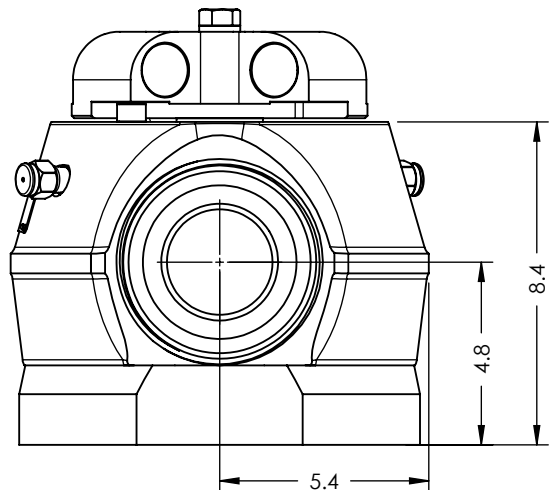
APPROVAL

↗ = ±0.001" / IN.
⊥ = ±0.001" / IN.
○ = ±0.001" / IN. ∅
⊙ = ±0.001"



BRC Engineering
3" Flow Control
3" Fig 1502 Plug Valve 15.69" 10k Sour Manual

MATERIAL			
WEIGHT 94 kg (206 lbs)	DWG. NO. 100-04-097	REV 0	SHEET 1 of 2



DIMENSIONS ARE IN INCHES, ANGLES ARE IN DEGREES

DECIMALS
 X.X ±0.030"
 X.XX ±0.010"
 X.XXX ±0.005"
 X.XXXX ±0.0010"

FRACTIONAL
 TOLERANCE ±1/64"

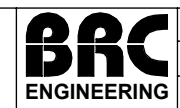
SURFACE FINISH √ 63μin.

UNSPECIFIED CHAMFERS & FILLET RADII = 0.010"

REMOVE ALL BURRS AND SHARP EDGES

APPROVAL

↗ = ±0.001" / IN.
 ⊥ = ±0.001" / IN.
 ○ = ±0.001" / IN. ∅
 ⊙ = ±0.001"



BRC Engineering
 3" Flow Control
 3" Fig 1502 Plug Valve 15.69" 10k Sour
 Manual

MATERIAL			
WEIGHT 94 kg (206 lbs)	DWG. NO. 100-04-097	REV 0	SHEET 2 of 2