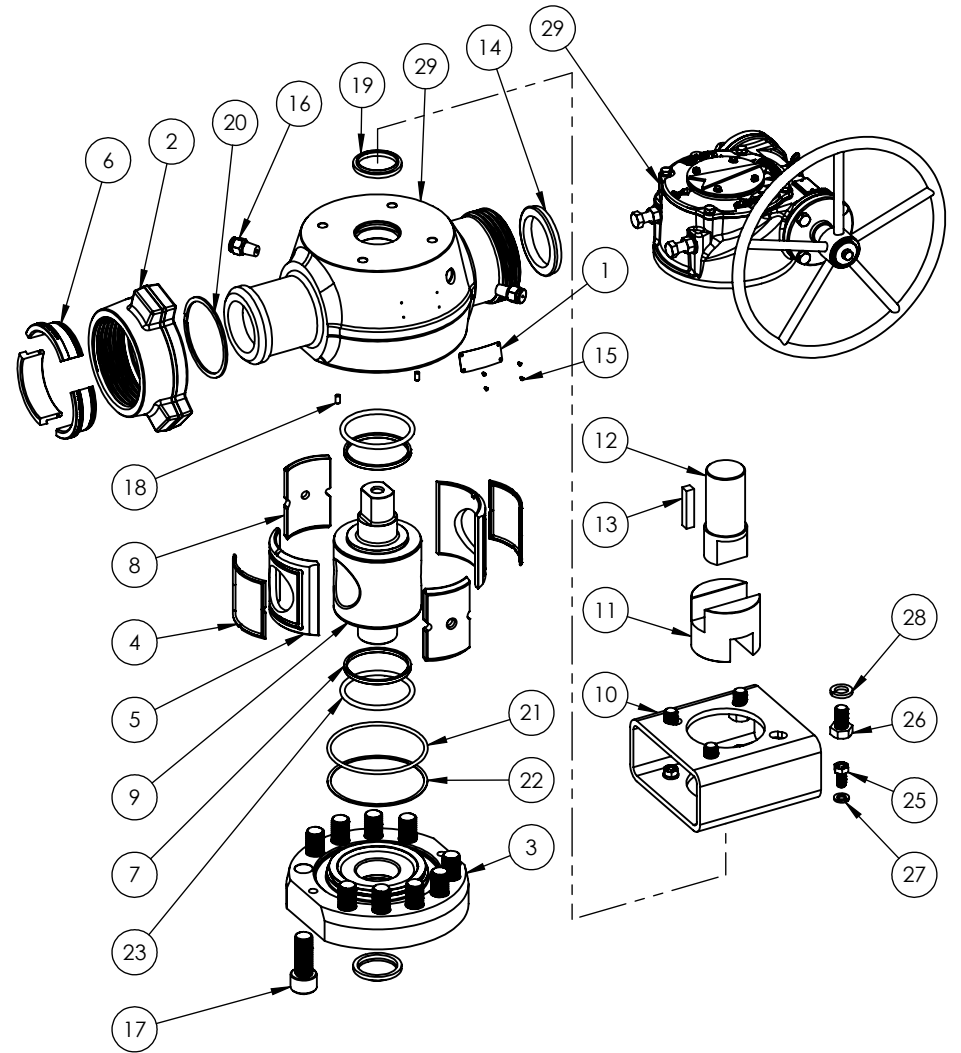


THE INFORMATION CONTAINED IN THIS DRAWING IS THE SOLE PROPERTY OF BRC ENGINEERING. ANY REPRODUCTION IN WHOLE OR PART WITHOUT THE WRITTEN PERMISSION OF BRC ENGINEERING IS PROHIBITED.

ITEM	PART NUMBER	DESCRIPTION	QTY.	100-04-00R (REBUILD) QTY.	100-04-00S (SEAL) QTY.
1	100-03-031	Fitting Identification Tag	1	-	-
2	100-04-008	3" Fig 1502 Union Nut 15k Std	1	-	-
3	100-04-012	3" Fig 1502 Top Cap 15K Std. Service	1	-	-
4	100-04-014	3" Fig 1502 Plug Valve Seat Window Seal	2	2	2
5	100-04-015	3" Plug Valve Window Seat	2	2	-
6	100-04-016	3" Fig 1502 Hammer Union Slip	3	-	-
7	100-04-017	3" Plug Valve Radial Backup Ring	2	2	2
8	100-04-019	3" Fig 1502 Seat Spacer	2	2	-
9	100-04-020	3" Fig 1502 Valve Plug	1	1	-
10	100-04-083	4x8 Actuator Bracket	1	-	-
11	100-04-084	Actuator Coupler	1	-	-
12	100-04-085	Actuator Stem	1	-	-
13	100-04-086	0.5 x 2.5in Square Key	1	-	-
14	100-00-005	3" Fig 1502 Hammer Union Seal	1	-	-
15	100-00-017	No. 2-100 x 0.1875in U-Drive Screw	4	-	-
16	100-00-055	Giant Button-Head Grease Fitting - 0.375in NPT	2	2	-
17	100-00-056	1-8 x 2.50 SHCS	10	-	-
18	100-00-059	1/4" x 1/2" Dowel Pin	2	2	-
19	100-00-060	Shaft Wiper U-Type 2.25in	2	2	2
20	100-00-061	4.5" Medium-Heavy Duty Spirolox Ref. Ring	1	-	-
21	100-00-062	O-Ring -356	1	1	1
22	100-00-063	Backup Ring -356	1	1	1
23	100-00-064	O-Ring -419	2	2	2
29	100-00-082	Diamond Gear TM-W2 1/4-Turn Actuator	1	-	-
25	100-00-083	0.5-13 x 1.0in Hex Bolt Grade 8	4	-	-
26	100-00-084	0.75-10 x 1.0in Hex Bolt Grade 8	4	-	-
27	100-00-085	1/2" Split Washer	4	-	-
28	100-00-088	3/4" Split Washer	4	-	-
29	100-04-004	3" Fig 1502 PV Body 15k Std 17.0"	1	-	-

NOTES:

- 1) MEETS REQUIREMENTS OF API6A PSL1/PR1
- 2) 15,000 PSI MAX CWP
- 3) TEMPERATURE CLASS PU (-29°C[-20°F] TO 121°C[250°F])
- 4) MATERIAL CLASS AA (STANDARD SERVICE)
- 5) 106 kg [235 lb] ASSEMBLED WEIGHT
- 6) REFER TO USER MANUAL 100-04-1000 FOR ASSEMBLY INFORMATION



-	0	INITIAL RELEASE	2018-09-14	JM
ECL	REV	REVISION DESCRIPTION	DATE	BY

DIMENSIONS ARE IN INCHES, ANGLES ARE IN DEGREES  
 DECIMALS  
 X.X ±0.030"  
 X.XX ±0.010"  
 X.XXX ±0.005"  
 X.XXXX ±0.0010"  
 FRACTIONAL  
 TOLERANCE ±1/64"  
 SURFACE FINISH √ 63µin.  
 UNSPECIFIED CHAMFERS & FILLET RADII = 0.010"  
**REMOVE ALL BURRS AND SHARP EDGES**

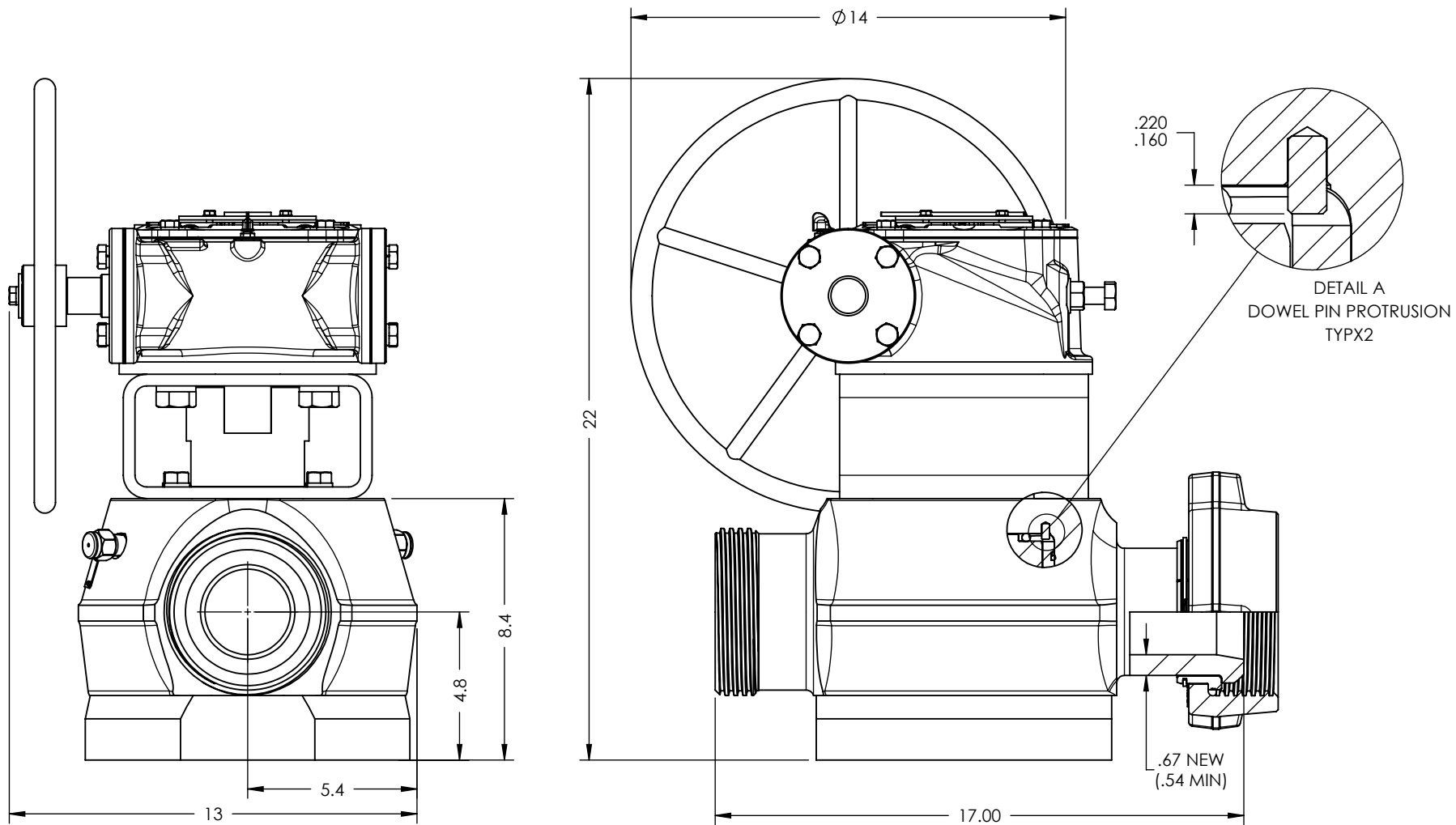
APPROVAL

APPROVAL	3
----------	---

**BRC ENGINEERING** BRC Engineering  
 3" Flow Control  
 3" Fig 1502 Plug Valve 17" 15k Std Gear Op

MATERIAL

WEIGHT 106 kg (235 lbs)	DWG. NO. 100-04-130	REV 0	SHEET 1 of 2
-------------------------------	------------------------	----------	--------------



DIMENSIONS ARE IN INCHES, ANGLES ARE IN DEGREES

DECIMALS  
 X.X ±0.030"  
 X.XX ±0.010"  
 X.XXX ±0.005"  
 X.XXXX ±0.0010"  
 FRACTIONAL  
 TOLERANCE ±1/64"  
 SURFACE FINISH √ 63µin.  
 UNSPECIFIED CHAMFERS & FILLET RADII = 0.010"  
**REMOVE ALL BURRS AND SHARP EDGES**

↗ = ±0.001" / IN.  
 ⊥ = ±0.001" / IN.  
 ○ = ±0.001" / IN. Ø  
 ⊙ = ±0.001"

APPROVAL



BRC Engineering  
 3" Flow Control  
 3" Fig 1502 Plug Valve 17" 15k Std Gear Op

MATERIAL			
WEIGHT 106 kg (235 lbs)	DWG. NO. 100-04-130	REV 0	SHEET 2 of 2