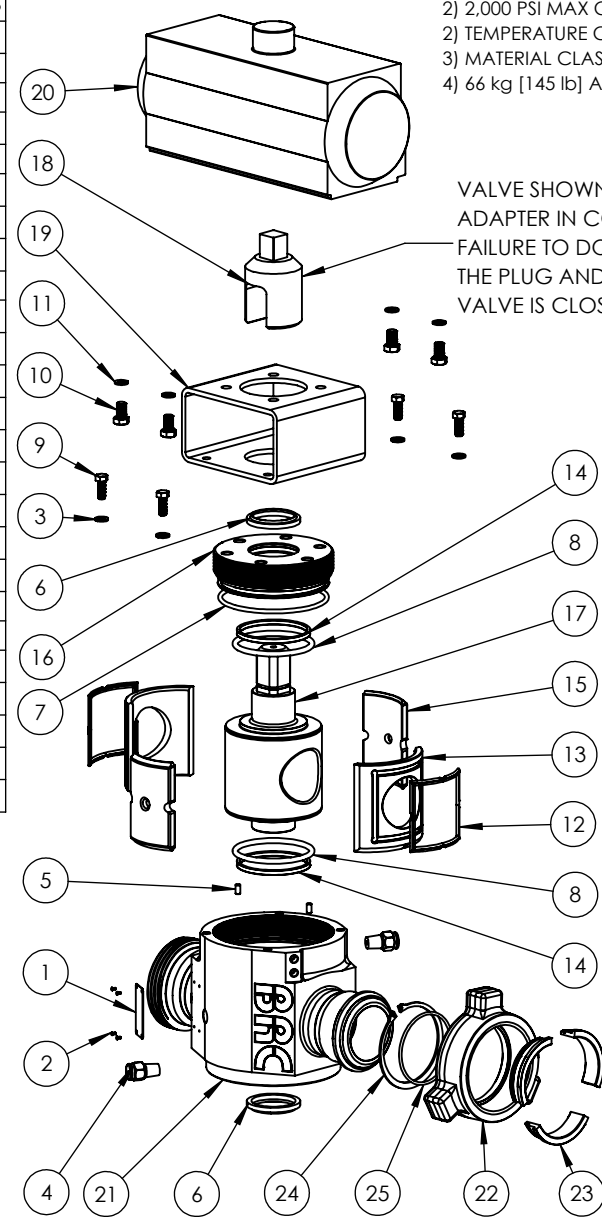


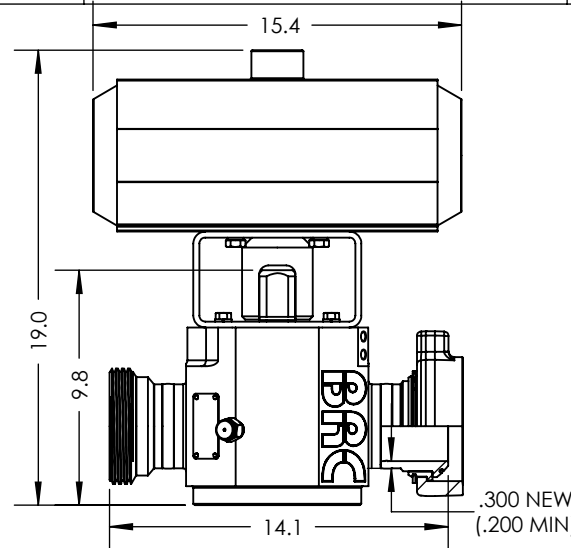
THE INFORMATION CONTAINED IN THIS DRAWING IS THE SOLE PROPERTY OF BRC ENGINEERING. ANY REPRODUCTION IN WHOLE OR PART WITHOUT THE WRITTEN PERMISSION OF BRC ENGINEERING IS PROHIBITED.

ITEM	PART NUMBER	DESCRIPTION	Assembly Qty	Major Kit Qty 100-06-00R	Minor Kit Qty 100-06-00S
1	100-03-031	Fitting Identification Tag	1	-	-
2	100-00-017	No. 2-100 x 0.1875in U-Drive Screw	4	-	-
3	100-00-044	3/8" Lock Washer	4	-	-
4	100-00-055	Giant Button-Head Grease Fitting - 0.375in NPT	2	2	-
5	100-00-059	1/4" x 1/2" Dowel Pin	2	2	-
6	100-00-060	Shaft Wiper U-Type 2.25in	2	2	2
7	100-00-062	O-Ring -356	1	1	1
8	100-00-064	O-Ring -419	2	2	2
9	100-00-092	3/8"-16 x 1.0 Hex Bolt	4	-	-
10	100-00-105	M12 x 20 Hex Cap Screw	4	-	-
11	100-00-106	M12 Split Lock Washer	4	-	-
12	100-04-014	3" Fig 1502 Plug Valve Seat Window Seal	2	2	2
13	100-04-015	3" Fig 1502 Plug Valve Window Seat	2	2	-
14	100-04-017	3" Plug Valve Radial Backup Ring	2	2	2
15	100-04-019	3" Fig 1502 Seat Spacer	2	2	-
16	100-06-002	3" Fig 206 Plug Valve Top Nut	1	-	-
17	100-06-003	3in Fig 206 Plug	1	1	-
18	100-06-022	Shaft Adapter for 27mm Socket Actuator	1	-	-
19	100-06-023	Actuator Mount for Meridian AC-140	1	-	-
20	-	Meridian AC-140 Actuator	1	-	-
21	100-06-001	3" Fig 206 BW Plug Valve Body - Billet	1	-	-
22	100-06-206W-B	3 Inch Fig 206 Union Nut	1	-	-
23	100-06-005	3" Fig 206 Segmented Slip	3	-	-
24	100-00-093	4-1/4" External Retaining Ring	1	-	-
25	100-00-069	-237 O-Ring	1	1	1

- NOTES:
 1) MEETS REQUIREMENTS OF API6A PSL1/PR1
 2) 2,000 PSI MAX CWP
 2) TEMPERATURE CLASS LU (-46°C[-50°F] TO 121°C[250°F])
 3) MATERIAL CLASS DD (SOUR SERVICE)
 4) 66 kg [145 lb] ASSEMBLED WEIGHT



VALVE SHOWN IN OPEN POSITION. INSTALL ADAPTER IN CORRECT ORIENTATION AS SHOWN. FAILURE TO DO SO MAY CAUSE RESTRICTION TO THE PLUG AND PREVENT SEALING WHEN THE VALVE IS CLOSED.



DIMENSIONS ARE IN INCHES, ANGLES ARE IN DEGREES
 DECIMALS
 X.X ±0.030"
 X.XX ±0.010"
 X.XXX ±0.005"
 X.XXXX ±0.0010"
 FRACTIONAL TOLERANCE ±1/64"
 SURFACE FINISH √ 63µin.
 UNSPECIFIED CHAMFERS & FILLET RADII = 0.010"
REMOVE ALL BURRS AND SHARP EDGES

APPROVAL
 ↗ = ±0.001" / IN.
 ⊥ = ±0.001" / IN.
 ○ = ±0.001" / IN. Ø
 ⊙ = ±0.001"

BRC ENGINEERING		BRC Engineering	
		Plug Valve Assembly	
		3" Fig 206 w/ AC140 Actuator	
MATERIAL Refer to Part Drawings			
WEIGHT 66 kg (145 lbs)	DWG. NO. 100-06-011A	REV 0	SHEET 1 of 1

-	0	INITIAL RELEASE.	2017-03-08	SB
ECR	REV	REVISION DESCRIPTION	DATE	BY