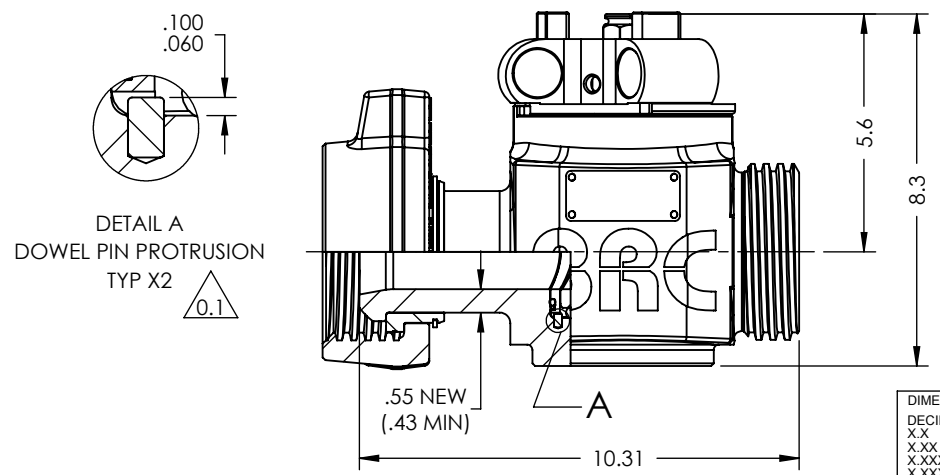
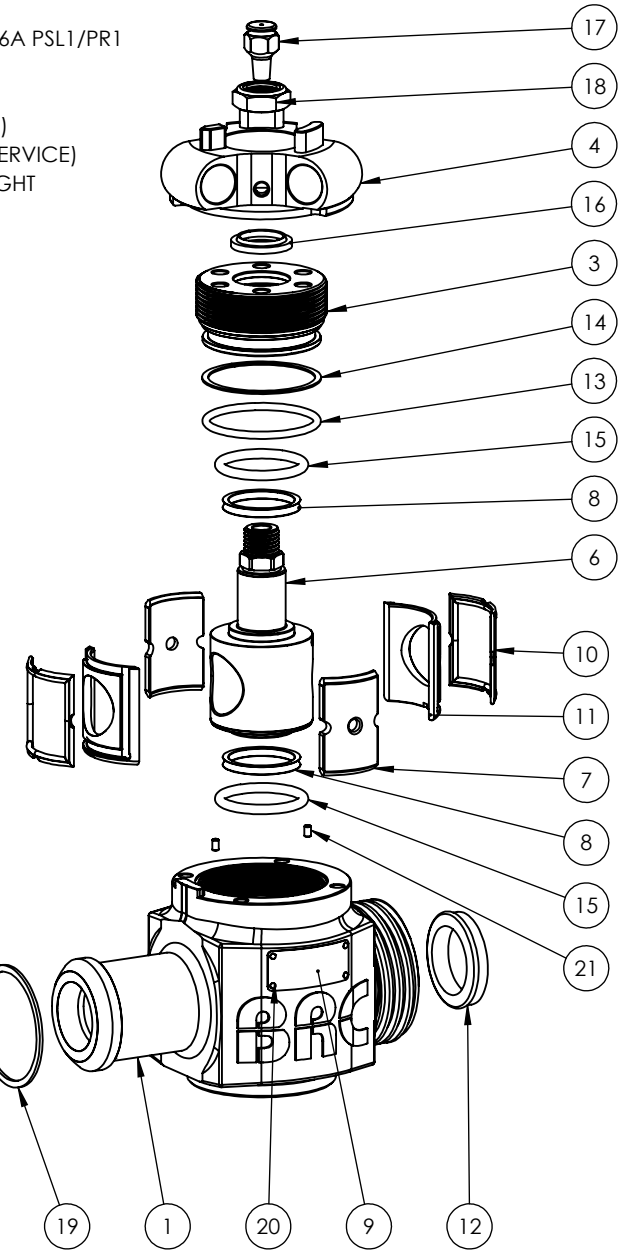


THE INFORMATION CONTAINED IN THIS DRAWING IS THE SOLE PROPERTY OF BRC ENGINEERING. ANY REPRODUCTION IN WHOLE OR PART WITHOUT THE WRITTEN PERMISSION OF BRC ENGINEERING IS PROHIBITED.

ITEM	PART NUMBER	DESCRIPTION	QTY.	Rebuild Kit 100-03-00R QTY.	Seal Kit 100-03-00S QTY.
F	1	100-03-003	2" Fig 1502 Valve Body - 10k Sour	1	-
	2	100-03-007	2" Fig 1502 Wing Nut 10k Sour	1	-
	3	100-03-008	Top Nut - 10k Sour	1	-
	4	100-03-009	Billet Snipe Nut	1	-
	5	100-03-011	2" Fig 1502 Segmented Slip	3	-
	6	100-03-012	2" Plug - Sour/STD Service	1	1
E	7	100-03-014	2" Plug Valve Seat Spacer - Sour/STD	2	2
	8	100-03-015	Radial Backup Ring	2	2
	9	100-03-031	Fitting Identification Tag	1	-
	10	100-03-050	2" Plug Valve Seat Window Seal - HSN 90	2	2
	11	100-03-051	2" Plug Valve Seat	2	2
	12	100-00-004	2" Hammer Union Seal	1	-
	13	100-00-010	O-Ring -337, HSN 90	1	1
D	14	100-00-011	Backup Ring -337, Viton 90	1	1
	15	100-00-012	O-Ring 54x7mm, Viton 80	2	2
	16	100-00-013	U-Type Shaft Wiper - 1.375 Inch	1	1
	17	100-00-014	Giant Button-Head Grease Fitting - 0.25in NPT	1	1
	18	100-00-015	1 Inch x 8 tpi Thin Hex Nut w/ Nylon Insert	1	-
	19	100-00-016	Spiral External Retaining Ring WST-334	1	-
	20	100-00-017	No. 2-100 x 0.1875in U-Drive Screw	4	-
C	21	100-00-020	Dowel Pin - 3/16" x 5/16"	2	2

NOTES:
 1) MEETS REQUIREMENTS OF API6A PSL1/PR1
 2) 10,000 PSI MAX CWP
 3) TEMPERATURE CLASS LU
 (-46°C[-50°F] TO 121°C[250°F])
 4) MATERIAL CLASS DD (SOUR SERVICE)
 5) 31 kg [68 lb] ASSEMBLED WEIGHT



DIMENSIONS ARE IN INCHES, ANGLES ARE IN DEGREES
 DECIMALS
 X.X ±0.030"
 X.XX ±0.010"
 X.XXX ±0.005"
 X.XXXX ±0.0010"
 FRACTIONAL TOLERANCE ±1/64"
 SURFACE FINISH √ 63µin.
 UNSPECIFIED CHAMFERS & FILLET RADII = 0.010"
REMOVE ALL BURRS AND SHARP EDGES

APPROVAL

∇ = ±0.001" / IN.
 \perp = ±0.001" / IN.
 \bigcirc = ±0.001" / IN. ϕ
 \odot = ±0.001"

BRC ENGINEERING		BRC Engineering	
		2" Flow Control	
		2" Fig 1502 Plug Valve 10k Sour	
MATERIAL		See BOM	
WEIGHT	DWG. NO.	REV	SHEET 1 of 1
31 kg (68 lbs)	100-03-017	0.1	

0041	0.1	ADDED DOWEL PIN PROTRUSION. ADDED DOWL PINS TO REBUILD KIT BOM.	2018-06-28	JM
-	0	INITIAL RELEASE	2017-04-05	JM
ECL	REV	REVISION DESCRIPTION	DATE	BY