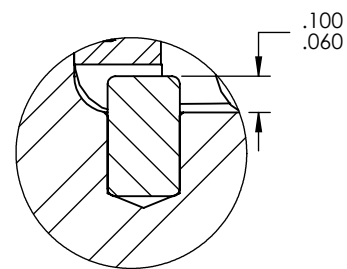


THE INFORMATION CONTAINED IN THIS DRAWING IS THE SOLE PROPERTY OF BRC ENGINEERING. ANY REPRODUCTION IN WHOLE OR PART WITHOUT THE WRITTEN PERMISSION OF BRC ENGINEERING IS PROHIBITED.

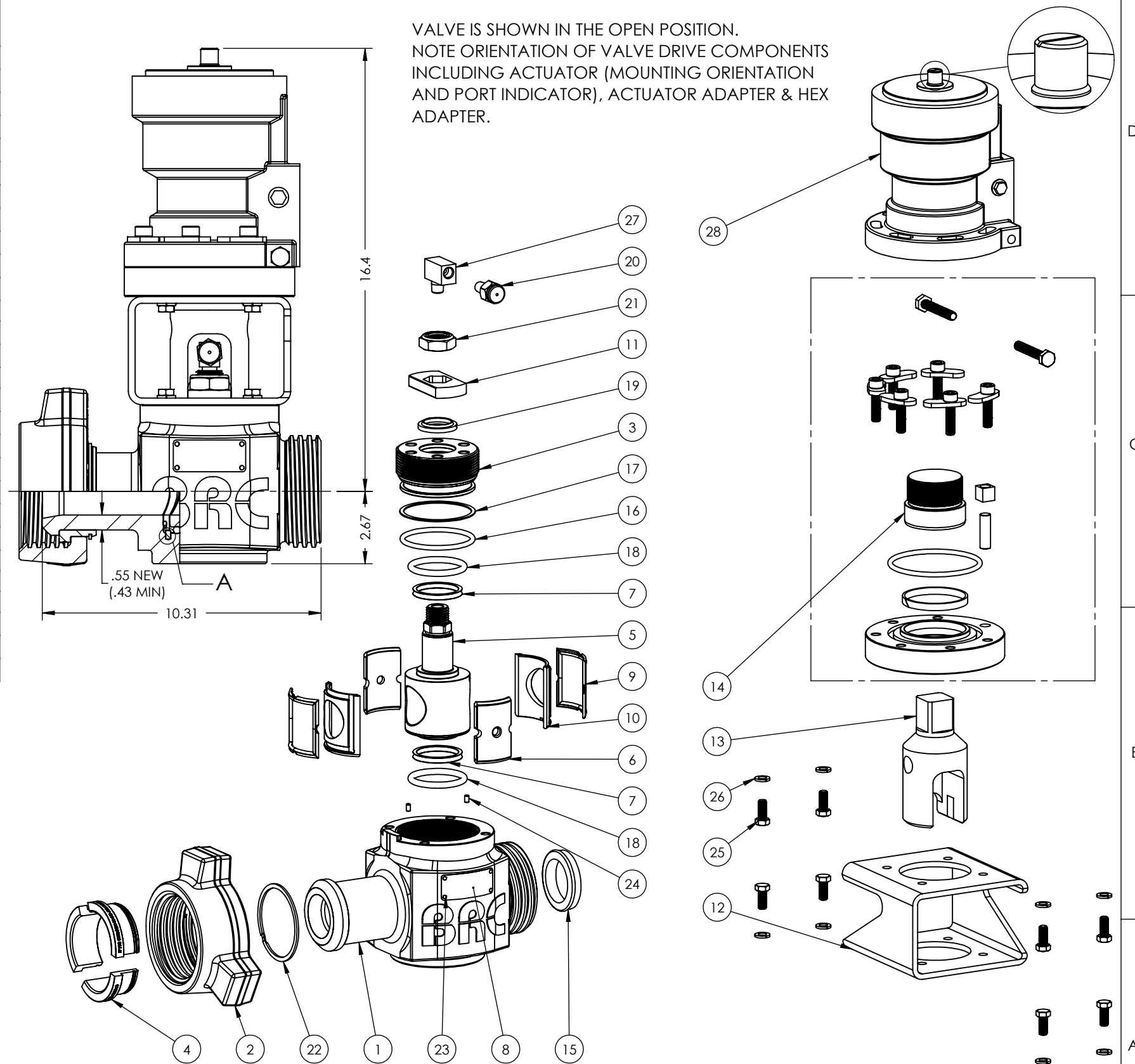
ITEM	PART NUMBER	DESCRIPTION	QTY.	Rebuild Kit 100-03-00R QTY.	Seal Kit 100-03-00S QTY.	Actuator Kit 100-03-197 QTY.
1	100-03-003	2" Fig 1502 Valve Body - 10k Sour	1	-	-	-
2	100-03-007	2" Fig 1502 Wing Nut 10k Sour	1	-	-	-
3	100-03-008	Top Nut - 10k Sour	1	-	-	-
4	100-03-011	2" Fig 1502 Segmented Slip	3	-	-	-
5	100-03-012	2" Plug - Sour/STD Service	1	1	-	-
6	100-03-014	2" Plug Valve Seat Spacer - Sour/STD	2	2	-	-
7	100-03-015	Radial Backup Ring	2	2	2	-
8	100-03-031	Fitting Identification Tag	1	-	-	-
9	100-03-050	2" Plug Valve Seat Window Seal - HSN 90	2	2	2	-
10	100-03-051	2" Plug Valve Seat	2	2	-	-
11	100-03-192	Actuated Plug Hex Adapter	1	-	-	1
12	100-03-193	Actuator Mount	1	-	-	1
13	100-03-195	2" Plug Valve Actuator Adapter	1	-	-	1
14	100-03-196	2" Plug Valve Hydraulic Actuator Mounting Kit, BRC 1000	1	-	-	1
15	100-00-004	2" Hammer Union Seal	1	-	-	-
16	100-00-010	O-Ring -337, HSN 90	1	1	1	-
17	100-00-011	Backup Ring -337, Viton 90	1	1	1	-
18	100-00-012	O-Ring 54x7mm, Viton 80	2	2	2	-
19	100-00-013	U-Type Shaft Wiper - 1.375 Inch	1	1	1	-
20	100-00-014	Giant Button-Head Grease Fitting - 0.25in NPT	1	1	-	-
21	100-00-015	1 Inch x 8 tpi Thin Hex Nut w/ Nylon Insert	1	-	-	-
22	100-00-016	Spiral External Retaining Ring WST-334	1	-	-	-
23	100-00-017	No. 2-100 x 0.1875in U-Drive Screw	4	-	-	-
24	100-00-020	Dowel Pin - 3/16" x 5/16"	2	2	-	-
25	100-00-043	3/8-16 x 0.875" Hex Bolt	8	-	-	8
26	100-00-044	3/8" Split Washer	8	-	-	8
27	100-00-135	1/4" NPT MF Street Elbow, 15000 psi	1	-	-	1
28	100-00-136	Double-Acting Rotary Hydraulic Actuator, BRC 1000	1	-	-	1

NOTES:

- 1) MEETS REQUIREMENTS OF API6A PSL1/PR1
- 2) 10,000 PSI MAX CWP
- 3) TEMPERATURE CLASS LU (-46°C[-50°F] TO 121°C[250°F])
- 4) MATERIAL CLASS DD (SOUR SERVICE)
- 5) 31 kg [68 lb] ASSEMBLED WEIGHT



DETAIL A
DOWEL PIN PROTRUSION
TYP X2



DIMENSIONS ARE IN INCHES, ANGLES ARE IN DEGREES

DECIMALS
 X.X ±0.030"
 X.XX ±0.010"
 X.XXX ±0.005"
 X.XXXX ±0.0010"

FRACTIONAL TOLERANCE ±1/64"
 SURFACE FINISH √ 63µin.
 UNSPECIFIED CHAMFERS & FILLET RADII = 0.010"

REMOVE ALL BURRS AND SHARP EDGES

APPROVAL

± = ±0.001" / IN.
 ⊥ = ±0.001" / IN.
 ∅ = ±0.001" / IN. ∅
 © = ±0.001"

BRC ENGINEERING BRC Engineering
 2" Flow Control
 2" Fig 1502 Plug Valve 10k Sour Hydraulic Actuated

MATERIAL See BOM

WEIGHT 31 kg (68 lbs)
 DWG. NO. 100-03-017-HA
 REV 0
 SHEET 1 of 1

-	0	INITIAL RELEASE	2018-11-29	JM
ECL	REV	REVISION DESCRIPTION	DATE	BY